

infinias® Elevator Control 16 Channel Base Unit

The base unit features all the intelligence of an eIDC, but with an additional 16 programmable relay outputs. Cloud friendly, this unit is tightly integrated with the new elevator control features in the infinias software allowing all elevator logic to be executed locally on the device so it does not miss a beat if the network should go offline.



Key Features & Benefits

- 24V Power supply provided to power the relay board
- The eIDC (included) can be optionally powered via PoE or by the provided power supply
- 16x - 5A 250V AC relays
- Optional 16 input board
- Supports 255 privilege schedules and up to 4 different floor schedules

PRODUCT NUMBERS

S-ECTRL-16	Elevator Control 16 Channel Base Unit
-------------------	---------------------------------------

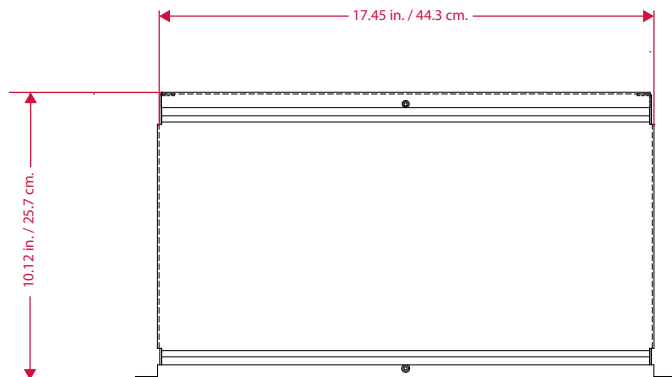
PHYSICAL

Weight:	9.7 lbs / 4.4 kg
Dimensions:	1U
Width:	17.45 in. / 44.3 cm.
Depth:	10.12 in. / 25.7 cm.
Height:	1.44 in. / 3.66 cm.

ELECTRICAL

Power Supply:	24V, PoE (802.3af)
----------------------	--------------------

Top



Side

