

## VISIX™ 4MP IP Vandal-Dome Camera w/IR

This four (4) megapixel IP Wide Dynamic Range (WDR) indoor dome camera from 3xLOGIC was engineered to provide high-definition video in changing or challenging lighting conditions, including bright backlit situations. The camera provides dual-streaming high-definition video at a full 2560 x 1440 pixels for video surveillance applications requiring superior clarity and image detail.

The VX-4V-ID-RIAWD is packed with all the features you might need for nearly any application including: full two-way audio, alarm input/output, SD card slot for local recording, motion detection, 140dB Wide Dynamic Range, remote focus, low-light/no-light, day/night functionality, and compatibility with a wide variety of standardized network protocols.

This aesthetically-pleasing vandal-proof dome camera allows unobtrusive and easy installation in a wide variety of areas. In addition, this camera is designed to continue functioning at top performance at temperatures as low as -30°C (-22°F) and as high as 60°C (140°F) allowing a wide range of applications.

The VX-4V-ID-RIAWD Comes standard with a 2.8-12mm varifocal lens providing support for most applications. Wide Dynamic Range and progressive scan image sensor delivers excellent image quality in challenging and ever-changing lighting conditions.

Dual-streaming compression permits recording at the highest quality while allowing fast live viewing from anywhere in the world regardless of available bandwidth. In addition, with full support for both variable bit rate and variable frame rate, the quality of each stream can be matched to available bandwidth for the most effective video quality possible.



Key Features and Benefits	
Lens	2.8 - 12mm Varifocal Lens
Resolution (Megapixels)	4
2048 x 1536 Resolution	✓
Infrared (Low-Light/No-Light)	✓
H.264/H.264+/H.265/H.265+/MJPEG	✓
Wide Dynamic Range	✓
Remote Focus	✓
2-Way Audio	+
IK10 Impact-Resistant (Vandal-Proof Camera)	✓
3 Year Warranty	✓

## CAMERA

Image Sensor:	1/2.8 inch Progressive Scan CMOS
Lens:	2.8 12mm, @ F1.4; Motorized VF Lens Angle of View: 102° to 38°
Min. Illumination:	0.002 Lux @ (F1.2, AGC ON), 0 Lux with IR
IR Range:	Up to 30 Meters
Day/Night:	IR Cut Filter with Auto Switch
Shutter Times:	1s to 1/100,000s
Wide Dynamic Range:	Yes, 120dB

## COMPRESSION STANDARD

Video Compression:	H.264/H.264+/H.265/H.265+/ MJPEG
Video Bit Rate:	256 Kbps to 16 Mbps
Triple Streams:	Yes

## IMAGE

Max. Image Resolution:	2560 × 1440
Frame Rate:	25fps (2560 × 1440, 1920 × 1080, 1280 × 720) 30fps (2560 × 1440, 1920 × 1080, 1280 × 720)
Third Stream:	25fps (1920 × 1080, 1280 × 720, 704 × 576, 640 × 480) 30fps (1920 × 1080, 1280 × 720, 704 × 480, 640 × 480)

## FUNCTIONS

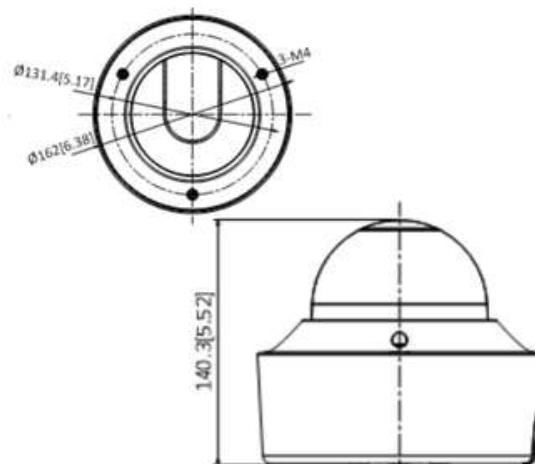
Alarm Triggers:	Motion detection, video tampering alarm, network disconnected, IP address conflict, illegal login, HDD full, HDD error
Local Storage:	Built-in SD/SDHC/SDXC Card slot, up to 128GB
Security:	Password protection, HTTPS encryption, IEEE 802.1x port-based network access control, IP address filter, basic and digest authentication for HTTP/HTTPS, WSSE and digest authentication for ONVIF
Protocols:	TCP/IP, ICMP, HTTP, HTTPS, FTP, DHCP, DNS, DDNS, RTP, RTSP, RTCP, PPPoE, NTP, UPnP, SMTP, SNMP, IGMP, 802.1X, QoS, IPv6, UDP, Bonjour
System Compatibility:	ONVIF (PROFILE S, PROFILE G), ISAPI, SDK

## PHYSICAL

Operating Conditions:	-30°C ~ 60°C (-22°F ~ 140°F); Humidity 95% or Less (non-condensing)
Impact Protection:	Up to IK10
Dimensions (mm):	Φ5.5" × 4.8" (H), Φ140.5 × 122.6 mm (H)
Weight:	900 g (1.98 lb.)

## ELECTRICAL

Power Supply:	12 VDC ± 20%, two-core terminal block PoE (802.3af, class 3): 36 V to 57 V
Power Consumption:	12 VDC ± 20%: 0.7 A, max. 8 W PoE (802.3af, class 3): 36 V to 57 V): 0.3 A to 0.2 A



## INTERFACE

Audio Input:	1 - Channel Microphone Input, 3.5mm Mini-Jack
Audio Output:	1 - Channel 3.5mm Audio Interface
Communication:	1 RJ45 10M/100M Ethernet Port and 1 RS-485
Alarm Input:	1
Alarm Output:	1
Video Output:	1 Vp-p Composite Output (75Ω /RCA)
Reset Button:	Yes

## WARRANTY

Three (3) Year Parts and In-house Labor Warranty

## CERTIFICATIONS

FCC, CE, UL

## PART NUMBERS

VX-4V-ID-RIAWD:	4MP Vandal Resistant IP Dome Camera
-----------------	-------------------------------------

## RECOMMENDED MOUNTS

VX-WM-D2:	Wall Mount Adaptor
VX-PM-D2:	Pendant Mount Adaptor
VX-FM-D2:	Indoor Ceiling Flush-Mount Adaptor
VX-POLE:	Pole Mount Adaptor
VX-CM:	Corner Mount Adaptor
VX-WMJ-D2:	Wall Mount Adaptor with Junction Box