

## VISIX™ 8MP High-Definition IP Vandal-Resistant Dome Camera

This 8MP IP camera provides affordable, high-definition coverage of any indoor or outdoor area. Displaying up to 3840 × 2160 pixels, this vandal-resistant network dome camera is designed to integrate seamlessly with the full family of VIGIL™ Video Management System (VMS) software modules. The IP67 enclosure provides superior protection in harsh environments, and its flush-mount format allows for easy and secure installation in a wide variety of indoor/outdoor applications.

The VX-8S-OD4-RIAWD is packed with features perfect for nearly any application including: motion detection, remote focus, IR and Digital Wide Dynamic Range. In addition, this camera is designed to continue functioning at top performance at temperatures as low as -30°C (-22°F) and as high as 60°C (140°F).

Dual-streaming compression provides recording at the highest quality while allowing fast live viewing from anywhere in the world regardless of available bandwidth. With full support for both variable bit rate and variable frame rate, the quality of each stream can be matched to available bandwidth for the most effective video quality possible.

When coupled with the VIGIL™ Series of Network Video Recorders (NVR) and Video Management System (VMS) software, superior point-to-point hardware compression and decompression allows for maximum performance of streamed live video, providing better video quality, more concurrent streams and a lower overall hit to CPU performance.



Key Features and Benefits	
Lens	2.8-12mm Varifocal Lens
Resolution (Megapixels)	8
H.264/H.264+/ H.265/H.265+/MJPEG	✓
2-Way Audio	+
Remote Focus	✓
IP67	✓

+ Optional Kit

## CAMERA

<b>Image Sensor:</b>	1/1.8" Progressive Scan CMOS
<b>Lens:</b>	2.8mm - 12mm @ F1.2 with Auto Iris Angle of View: 112.4 to 41
<b>Min. Illumination:</b>	0.07 lux @ F1.2 with Auto Gain Control (AGC) 0 Lux with IR
<b>IR Range:</b>	30 Meters
<b>Angle Adjustment:</b>	Pan: 0° - 35°; Tilt: 0° - 75°
<b>Shutter Time:</b>	1/100,000s
<b>Day/Night:</b>	Infrared, IR Cut Filter with Auto Switch
<b>Wide Dynamic Range:</b>	Yes; 120db

## COMPRESSION STANDARD

<b>Video Compression:</b>	H.264/H.264+/H.265/H.265+/MJPEG
<b>Video Bit Rate:</b>	32 Kbps - 16 Mbps
<b>Dual Video Streams:</b>	Yes
<b>Audio Compression:</b>	G.711/G.722.1/G.726/MP2L2

## IMAGE

<b>Max. Image Resolution:</b>	3840 × 2160
<b>Frame Rate:</b>	25fps (3840 × 2160, 3200 × 1800, 2560 × 1440, 1920 × 1080, 1080 × 720) 30fps (3840 × 2160, 3200 × 1800, 2560 × 1440, 1920 × 1080, 1080 × 720)
<b>Digital Noise Reduction:</b>	BLC, HLC, Defog, EIS
<b>Day/Night Switch:</b>	Auto/Schedule/Day/Night/Triggered by Alarm
<b>Image Setting:</b>	Rotate Mode, Saturation, Brightness, Contrast, Sharpness, AGC, White Balance

## NETWORK

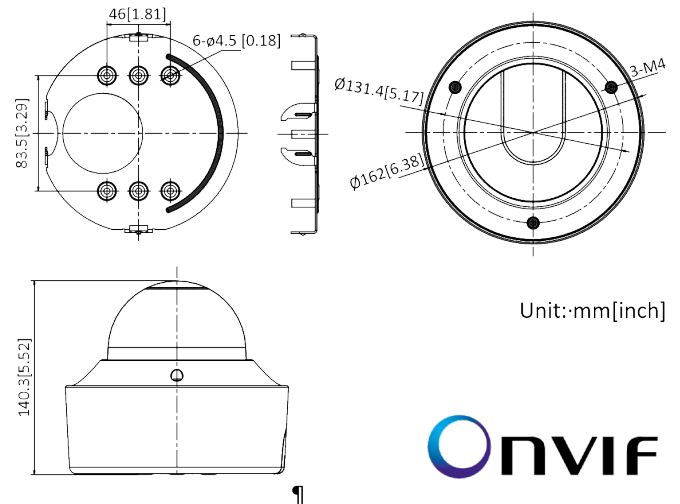
<b>Alarm Triggers:</b>	Motion Detection, Video Tampering Alarm, Network Disconnected, Ip Address Conflict, Illegal Login, Hdd Full, HDD Error
<b>Local Storage:</b>	Built-in SD/SDHC/SDXC slot, up to 128GB
<b>Security:</b>	Password Protected, Watermark, User Authentication, IP Address Filtering, Anonymous Access
<b>Protocols:</b>	Password Protection, HTTPS Encryption, IEEE 802.1X Port-Based Network Access Control, IP Address Filter, Basic And Digest Authentication For HTTP/HTTPS, WSSSE And Digest Authentication For ONVIF
<b>System Compatibility:</b>	ONVIF (Profile S), CGI, ISAPI

## PHYSICAL

<b>Working Temperature:</b>	-30°C - 60°C (-22°F - 140°F); Humidity 95% or less
<b>Weather-proof Rating:</b>	IP67
<b>Impact Protection:</b>	IK10
<b>Dimensions (inches):</b>	Φ6.4" × 5.5"
<b>Dimensions (mm):</b>	Φ162 × 140.3 mm
<b>Weight:</b>	3.20 lbs. / 1450g

## ELECTRICAL

<b>Power Supply:</b>	12 V, voltage range of 10 to 48 VDC allowed, two-core terminal block. PoE (802.3at, class 4)
<b>Power Consumption:</b>	12 VDC, 0.95 A, max. 10 W; PoE (802.3at, 42.5 V to 57 V), 0.3 A to 0.2 A, class 4



## INTERFACE

<b>Communication:</b>	1 RJ45 10/100/1000Mbps Ethernet port & 1 RS-485
<b>Audio Input:</b>	1-channel microphone input, 3.5mm mini-jack
<b>Audio Output:</b>	1-channel 3.5mm audio interface
<b>Alarm Input:</b>	1
<b>Alarm Output:</b>	1

## WARRANTY

Three (3) Year Return to Depot Parts and Labor Warranty

## CERTIFICATIONS

FCC, CE

## PART NUMBER

**VX-8S-OD4-RIAWD:** 8MP Outdoor Vandal Dome IP Camera

## RECOMMENDED MOUNTS

<b>VX-PM-147:</b>	Pendant Mount
<b>VX-WM-147:</b>	Wall Mount
<b>VX-POLE-147:</b>	Vertical Pole Mount
<b>VX-CM-147:</b>	Corner Mount