

## V-Series 2 Megapixel Exterior Bullet Camera with Remote Focus

The VX-2A-B-RIWD is a fully functional indoor/outdoor IP camera with advanced analytics capabilities. These cameras can be connected to a DVR or act as a standalone recording device.

The exterior bullet camera offers high-definition video at full 1920 x 1080 resolution for both indoor and outdoor video surveillance applications which require superior clarity and detail. Its many features include; dual-streaming of either H.264 or MJPEG compression; wide dynamic range; Micro SD card slot for local recording; IP66 weather resistant construction; varifocal lens; and IR illumination.

The embedded analytics use algorithms that automatically self-adjust, allowing the user to concentrate on the detection rules. This greatly simplifies the analytic process, requiring only a few mouse clicks to configure a detection rule. These advanced analytics allow for object classification, direction, people counting, dwell times, and occupancy counts.

When enabled, the embedded VIGIL Server software from 3xLOGIC allows the camera to be run as a stand-alone device recording video to the onboard memory card. This makes the camera compatible with the 3xLOGIC software suite including VIGIL Client, VIGIL VCM, VIGIL Mobile and VIGIL Cloud applications. Simple plug-and-play installation allows for access using a standard web browser, VIGIL Client, or your mobile device or tablet using our easy to use QR code quick setup.



| Key Features and Benefits |                       |
|---------------------------|-----------------------|
| Resolution                | 2 MP<br>(1920 x 1080) |
| Frame Rate                | 30 fps                |
| Compression               | H.264/MJPEG           |
| Lens                      | 3.0-9mm<br>Varifocal  |
| Remote Focus              | ✓                     |
| WDR                       | Digital               |
| On-Camera Storage         | +                     |
| Built-in IR               | up to 15 m            |
| Standard Analytics        | ✓                     |
| Advanced Analytics        | +                     |
| Outdoor                   | IP66                  |
| ONVIF/PSIA Compliant      | ✓                     |
| Warranty                  | 3-Year                |

+ Optional Component

## CAMERA

|                     |   |
|---------------------|---|
| Image Sensor:       | 1/2.9 inch Progressive Scan CMOS                    |
| Lens:               | 3.0mm(w) ~ 9.0mm(t) @ F1.5(w) - F2.5(t), Optical 3x |
| Min. Illumination:  | Color .5 Lux<br>B/W 0 Lux with IR LED on            |
| IR Range:           | Up to 15 meters                                     |
| Auto Iris:          | DC drive  |
| Day/Night:          | IR cut filter                                       |
| Wide Dynamic Range: | Yes, Digital  |
| Remote Focus:       | Yes   |
| Angle of View:      | 110.8° x 35.5°                                      |

## COMPRESSION STANDARD

|                    |              |
|--------------------|--------------|
| Video Compression: | H.264, MJPEG |
| Dual Streams:      | Yes          |

## IMAGE

|                        |  |
|------------------------|--|
| Max. Image Resolution: | 1920(H) x 1080(V)                          |
| Frame Rate:            | 30 fps                                     |
| Image Orientation:     | Flip / Mirror / Corridor Mode (-90°, +90°) |

## FUNCTIONS

|                       |   |
|-----------------------|---|
| Local Storage:        | Built-in Micro SD (SD/SDHC/SDXC) up to 64GB   |
| Security:             | Multi level access with password protection   |
| Protocols:            | HTTP, Qos Layer 3 DiffServ, TCP/IP, HTTP, HTTPS, FTP, UDP/IP, RTSP, RTCP, RTP/UDP, RTP/TCP, mDNS, UPnP, SMTP, DHCP, DNS, DDNS, NTP, IPv4, SNMPv1/v2c/v3(MIB-II), IGMP, ICMP |
| System Compatibility: | ONVIF   |

## PHYSICAL

|                       |                             |
|-----------------------|-----------------------------|
| Working Temperature:  | -20°C ~ 50°C (-4°F ~ 122°F) |
| Start-up Temperature: | 0°C (32°F)                  |
| Humidity:             | 85% max - non condensing    |
| Weather Protection:   | IP66                        |
| Dimensions (inches):  | 11.3" x 3.28" x 3.39"       |
| Dimensions (mm):      | 287 x 83.5 x 86             |
| Weight:               | 1.92 lbs / 870 g            |

## ELECTRICAL

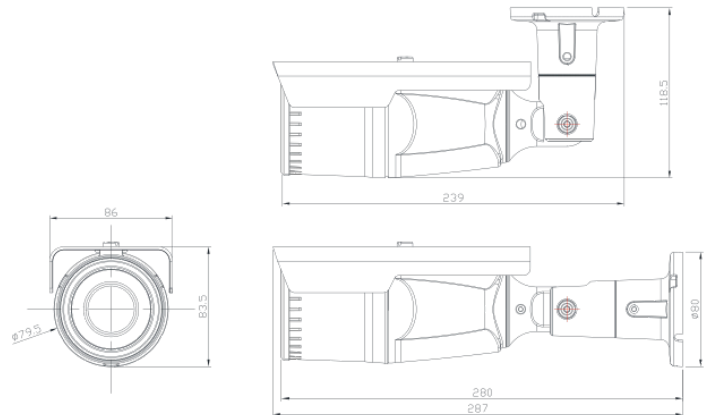
|                    |                            |
|--------------------|----------------------------|
| Power Supply:      | 12V DC; PoE (IEEE 802.3af) |
| Power Consumption: | 7.6W Max                   |

## INTERFACE

|                |   |
|----------------|---|
| Communication: | 1 RJ45 10M/100M Ethernet port                       |
| Video Output:  | 1 Vp-p composite output (75 Ω/RCA) for installation |
| Alarm Input:   | 1   |
| Alarm Output:  | 1   |

## CERTIFICATIONS

|                   |
|-------------------|
| KC, FCC, CE, ROHS |
|-------------------|



## STANDARD ANALYTICS (INCLUDED)

- Detection Zones: Multi-segment Polygons and Lines
- On-screen Display: Real-time Display of Tracking
- Image stabilization
- Change of Scene Detection

## ADVANCED ANALYTICS (OPTIONAL)

- Size-based Object Classification
- Detection Behavior; Direction, Stopping, Loitering
- Entering, Exiting, Appear, and Disappear Filters
- Speed Filters

## WARRANTY

Three (3) Year Parts and In-house Labor Warranty

## PART NUMBERS

|                      |  |
|----------------------|--|
| <b>VX-2A-B-RIWD:</b> | 2MP IP Bullet Camera with Standard Analytics   |
| -S                   | VIGIL Server Stand-Alone Software License with 64GB SD Storage, <b>Includes Basic Relay Server Service</b> |
| -AS                  | Advanced Analytics License and Server Stand-Alone License  |
| -RU                  | Relay Server License – Unlimited   |
| -A                   | Advanced Video Analytics   |

The Advanced Analytics, Stand-Alone Server and Unlimited Relay Server features can also easily be added to the camera after installation. Contact your 3xLOGIC Representative for further details.