



Tech Tip 090003

Pelco Spectra PTZ Camera Vigil Server Interface Wiring Details

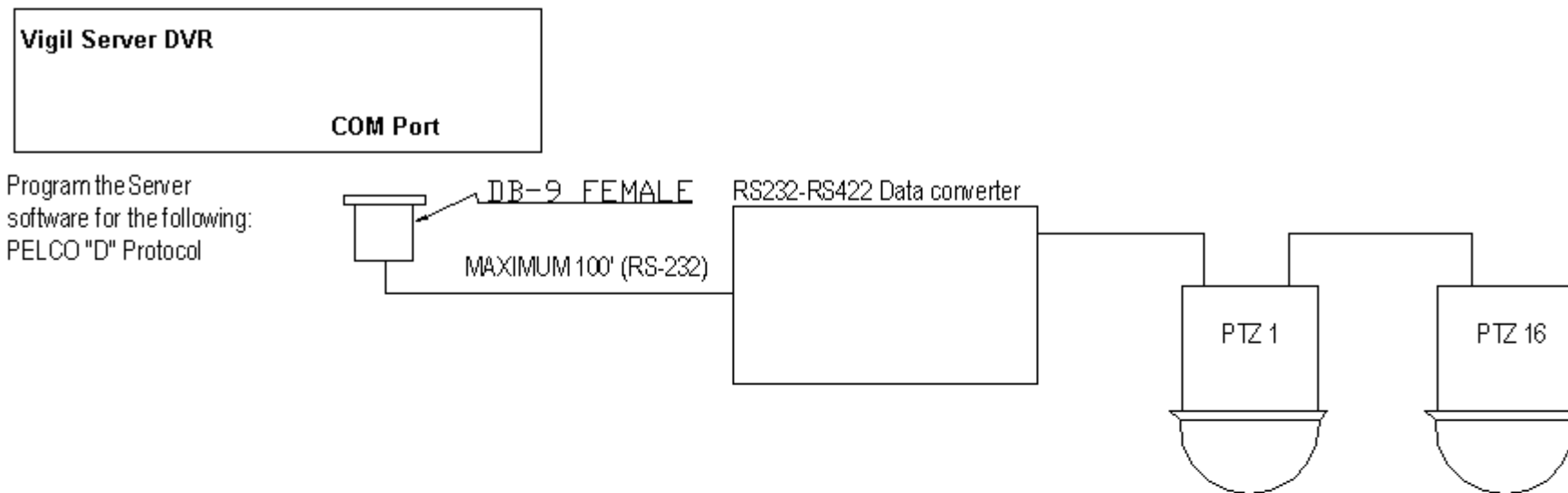
Tech Tip No.:	090003
Product Affected:	Vigil Server
Date:	January 16, 2009
Description:	Pelco Spectra PTZ Camera Vigil Server Interface Wiring Details

Camera Models Supported:
Pelco Spectra Series

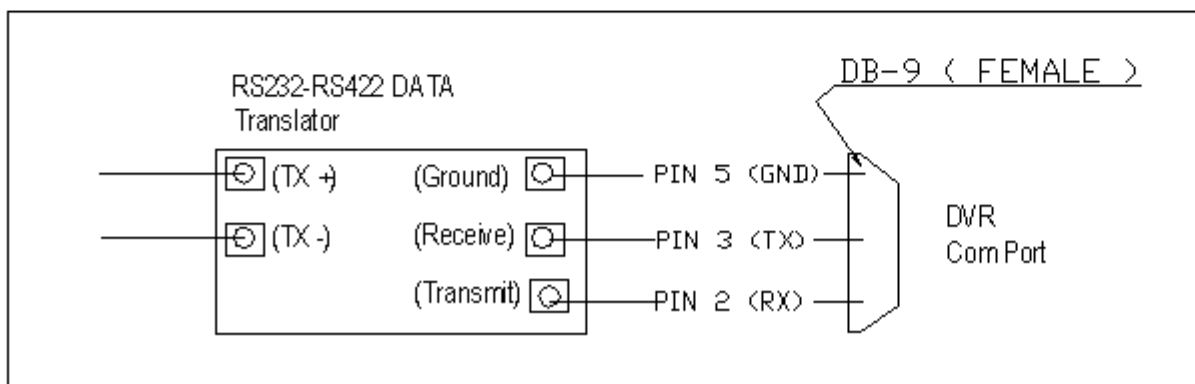
Protocols:	The protocol settings on the DVR and the Pelco Spectra camera must match. Power cycle the Pelco Spectra camera to view the protocol and COM Port settings used.
Pelco D, Pelco P	

COM Port Settings:	The COM Port settings on the DVR and the Pelco Spectra camera must match. Power cycle the Pelco Spectra camera to view the protocol and COM Port settings used. The default settings are as follows:
Baud Rate:	2400
Data Bits:	8
Stop Bits:	1
Parity:	None

Pelco Spectra Series Vigil DVR Wiring Diagram



CABLE WIRING DETAILS



Parts List:

- 1 DB9 Hood
- 1 DB9 Female connector
- 1 Shielded 22AWG cable 2 pair
- 1 RS232-RS422 Data converter
- 2 DB25 Hoods
- 1 Male DB25
- 1 Female DB25

Contact Information

If you require more information, or if you have any questions or concerns, please contact 3xLogic Technical Support:

Toll Free (North America): 1-877-3XLOGIC (1-877-395-6442)

Email: support@3xlogic.com

Online: www.3xlogic.com