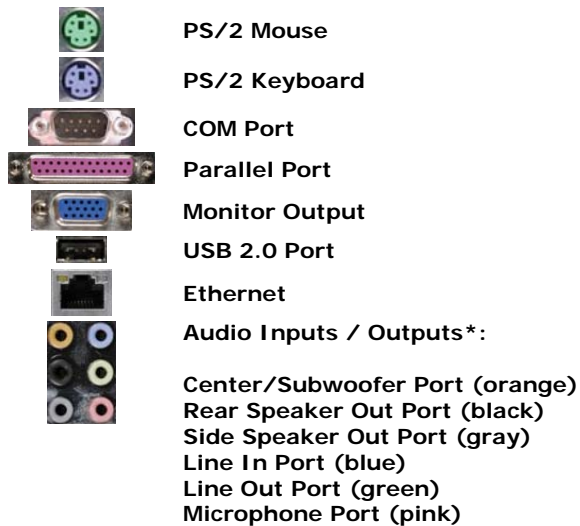


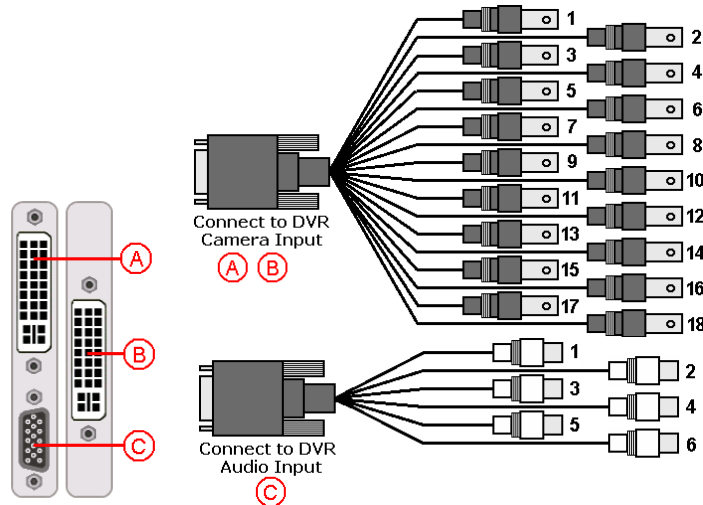
# VIGIL™ System DVR DRX-100-32 Rear Connector Diagram

## Standard PC Connector Legend



\*Port availability may differ between models.

## DRX-100-32 DVR Input Connector Diagram



- A) 1 – 16: Camera Inputs 1 – 16
- 17: Spot Monitor 1 Output
- 18: Spot Monitor 2 Output (Multi-screen)
  
- B) 1 – 16: Camera Inputs 17 – 32
- Note: Inputs 17 and 18 are not used for (B) 32 Camera Input.
  
- C) 1 – 4: DVR Audio Inputs 1 – 4
- 5: Audio Speaker Out
- 6: Audio Line Out
- Note: Any additional audio inputs are not used for DRX-100 model systems.

## Contact Information

If you require more information, or if you have any questions or concerns, please contact 3xLogic Technical Support:  
 Toll Free (North America): 1-877-3XLOGIC (1-877-395-6442)  
 Email: [support@3xlogic.com](mailto:support@3xlogic.com)  
 Online: [www.3xlogic.com](http://www.3xlogic.com)