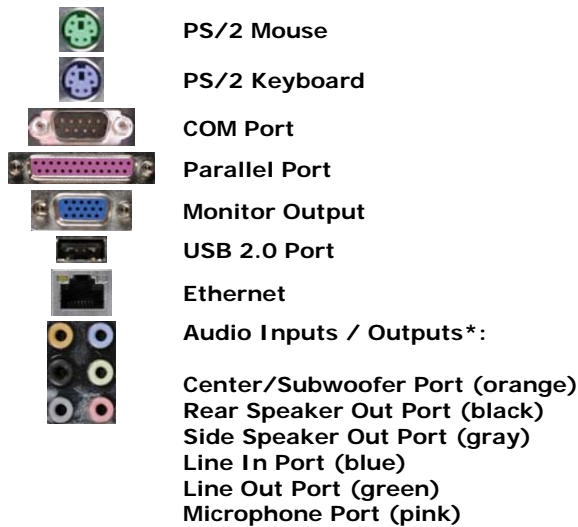


# VIGIL™ System DVR

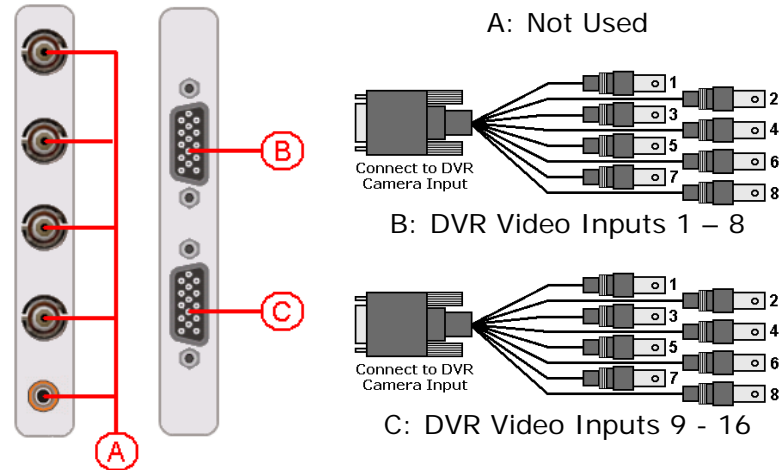
## DRX-25-16 Rear Connector Diagram

### Standard PC Connector Legend



\*Port availability may differ between models.

### DRX-25-16 DVR Input Connector Diagram



### Contact Information

If you require more information, or if you have any questions or concerns, please contact 3xLogic Technical Support:  
Toll Free (North America): 1-877-3XLOGIC (1-877-395-6442)  
Email: [support@3xlogic.com](mailto:support@3xlogic.com)  
Online: [www.3xlogic.com](http://www.3xlogic.com)