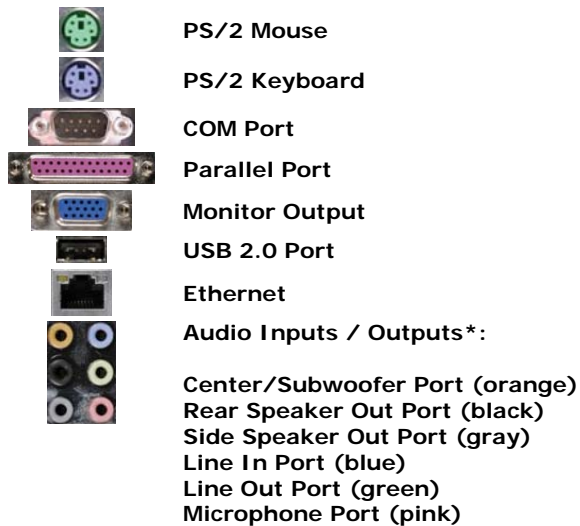


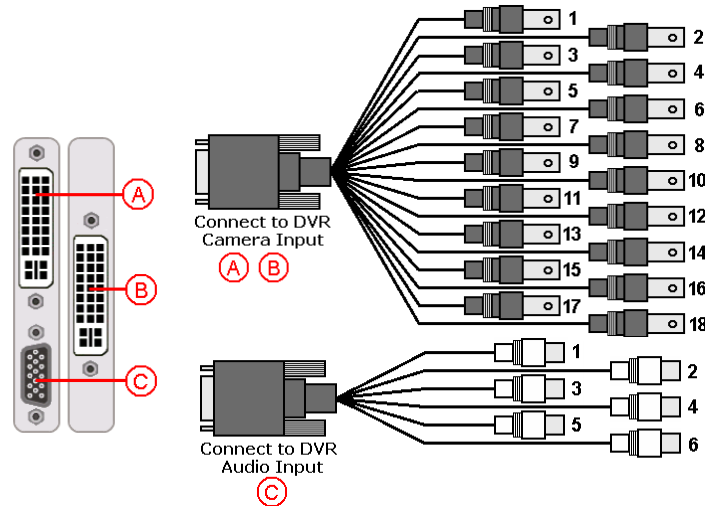
VIGIL™ System DVR DRX-50-32 Rear Connector Diagram

Standard PC Connector Legend



*Port availability may differ between models.

DRX-50-32 DVR Input Connector Diagram



- A) 1 – 16:
 Camera Inputs 1 – 16
 17: Spot Monitor 1 Output
 18: Spot Monitor 2 Output
 (Multi-screen)
- B) 1 – 16:
 Camera Inputs 17 - 32
 Note: Inputs 17 and 18 are not used for (B) 32 Camera Input.
- C) 1 – 4:
 Audio Inputs 1 – 4
 5: Audio Speaker Out
 6: Audio Line Out
 Note: Any additional audio inputs are not used for DRX-50 model systems.

Contact Information

If you require more information, or if you have any questions or concerns, please contact 3xLogic Technical Support:
 Toll Free (North America): 1-877-3XLOGIC (1-877-395-6442)
 Email: support@3xlogic.com
 Online: www.3xlogic.com