



Vigil™ DVR Rear Connector Diagrams

1	ALL MODELS - STANDARD PC CONNECTOR LEGEND	2
2	DRX SERIES DVR VIDEO INPUT CONNECTOR DIAGRAMS	3
2.1	DRX-25-4	3
2.2	DRX-25-16	3
2.3	DRX-50-16	4
2.4	DRX-50-32	4
2.5	DRX-100-16	5
2.6	DRX-100-32	5
2.7	DRX-200-16	6
2.8	DRX-200-32	6
3	DVR SERIES DVR VIDEO INPUT CONNECTOR DIAGRAM	7
3.1	DVR-4	7
3.2	DVR-8	7
3.3	DVR-16	7
3.4	DVR-32	8
4	OPTIONS	9
4.1	MUX2	9
4.2	MUX4	9
5	CONTACT INFORMATION	10

1 All Models - Standard PC Connector Legend



PS/2 Mouse



PS/2 Keyboard



COM Port



Parallel Port



Monitor Output



USB 2.0 Port



Ethernet



Audio Inputs / Outputs*:

Center/Subwoofer Port (orange)

Rear Speaker Out Port (black)

Side Speaker Out Port (gray)

Line In Port (blue)

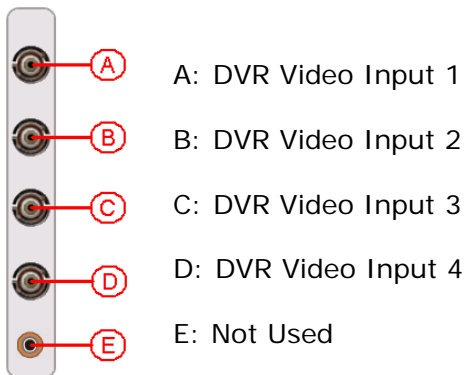
Line Out Port (green)

Microphone Port (pink)

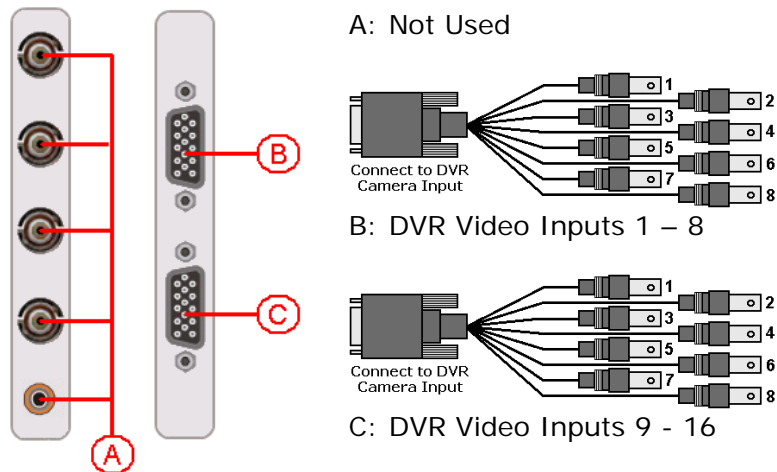
*Availability of some ports and the port order may differ between models. Refer to the color of the port for correct identification.

2 DRX Series DVR Video Input Connector Diagrams

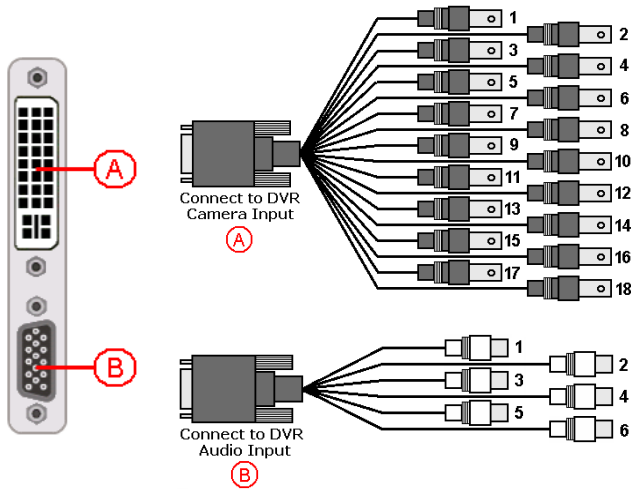
2.1 DRX-25-4



2.2 DRX-25-16



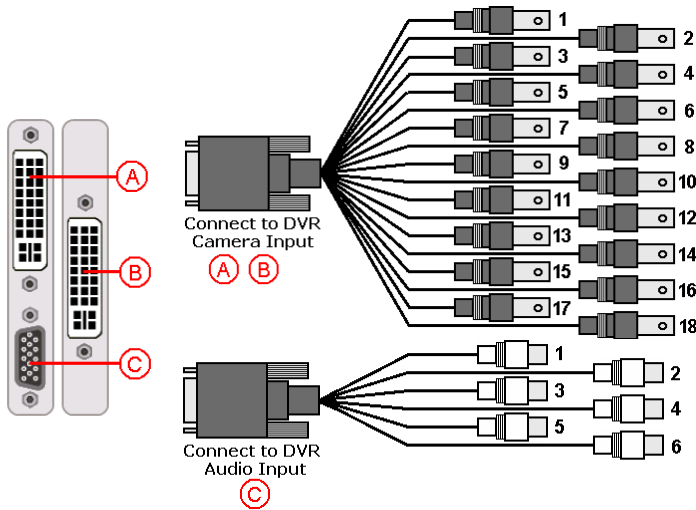
2.3 DRX-50-16



- A) 1 – 16: Camera Inputs 1 – 16
 17: Spot Monitor 1 Output
 18: Spot Monitor 2 Output (Multi-screen)

- B) 1 – 4: DVR Audio Inputs 1 – 4
 5: Audio Speaker Out
 6: Audio Line Out
 Note: Any additional audio inputs are not used for DRX-50 model systems.

2.4 DRX-50-32

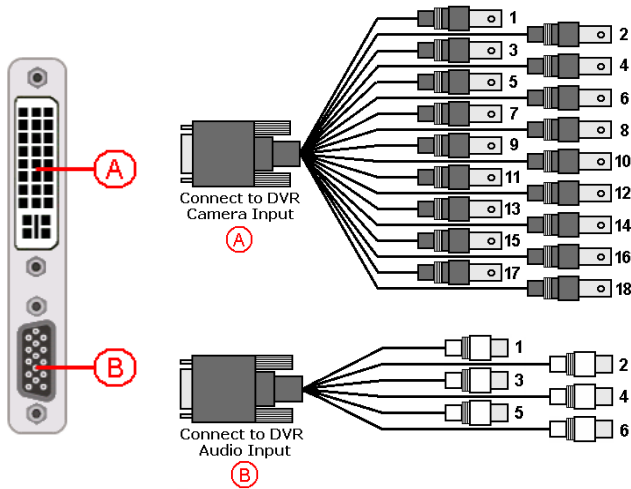


- A) 1 – 16: Camera Inputs 1 – 16
 17: Spot Monitor 1 Output
 18: Spot Monitor 2 Output (Multi-screen)

- B) 1 – 16: Camera Inputs 17 - 32
 Note: Inputs 17 and 18 are not used for (B) 32 Camera Input.

- C) 1 – 4: DVR Audio Inputs 1 – 4
 5: Audio Speaker Out
 6: Audio Line Out
 Note: Any additional audio inputs are not used for DRX-50 model systems.

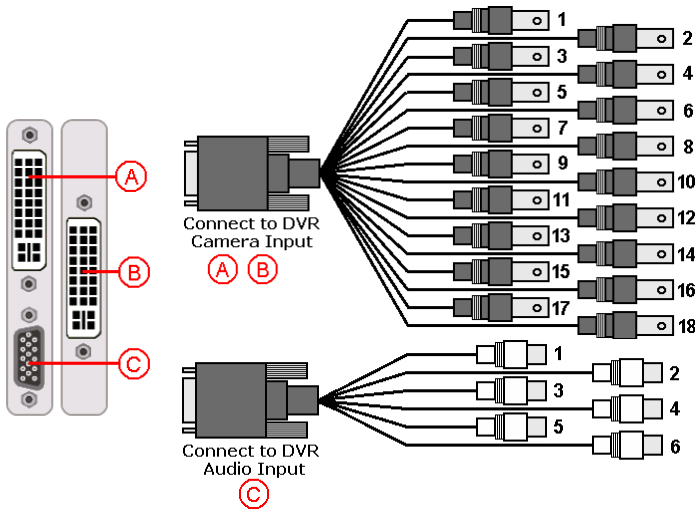
2.5 DRX-100-16



- A) 1 – 16: Camera Inputs 1 – 16
 17: Spot Monitor 1 Output
 18: Spot Monitor 2 Output (Multi-screen)

- B) 1 – 4: DVR Audio Inputs 1 – 4
 5: Audio Speaker Out
 6: Audio Line Out
 Note: Any additional audio inputs are not used for DRX-100 model systems.

2.6 DRX-100-32

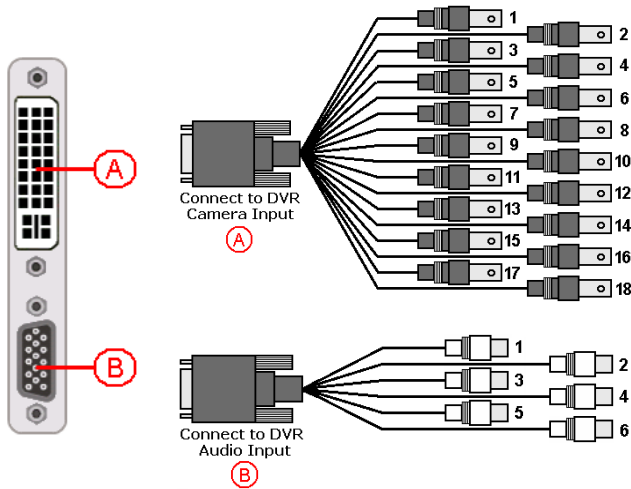


- A) 1 – 16: Camera Inputs 1 – 16
 17: Spot Monitor 1 Output
 18: Spot Monitor 2 Output (Multi-screen)

- B) 1 – 16: Camera Inputs 17 - 32
 Note: Inputs 17 and 18 are not used for (B) 32 Camera Input.

- C) 1 – 4: DVR Audio Inputs 1 – 4
 5: Audio Speaker Out
 6: Audio Line Out
 Note: Any additional audio inputs are not used for DRX-100 model systems.

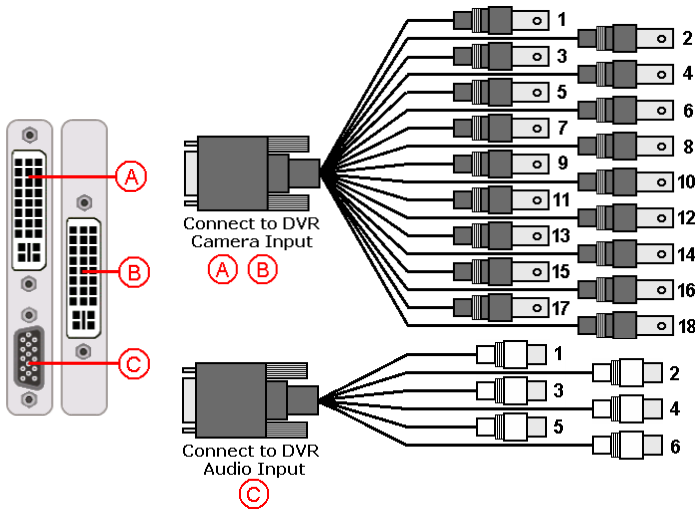
2.7 DRX-200-16



- A) 1 – 16: Camera Inputs 1 – 16
 17: Spot Monitor 1 Output
 18: Spot Monitor 2 Output (Multi-screen)

- B) 1 – 4: DVR Audio Inputs 1 – 4
 5: Audio Speaker Out
 6: Audio Line Out
 Note: Any additional audio inputs are not used for DRX-200 model systems.

2.8 DRX-200-32



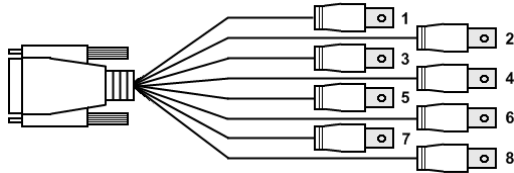
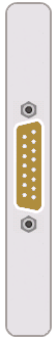
- B) 1 – 16: Camera Inputs 1 – 16
 17: Spot Monitor 1 Output
 18: Spot Monitor 2 Output (Multi-screen)

- D) 1 – 16: Camera Inputs 17 - 32
 Note: Inputs 17 and 18 are not used for (B) 32 Camera Input.

- E) 1 – 4: DVR Audio Inputs 1 – 4
 5: Audio Speaker Out
 6: Audio Line Out
 Note: Any additional audio inputs are not used for DRX-200 model systems.

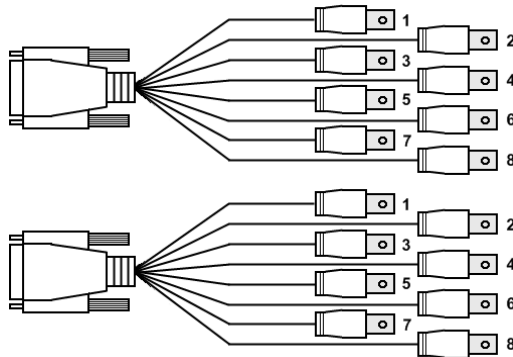
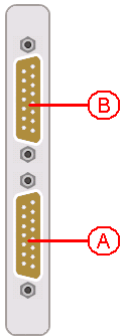
3 PRO Series DVR Video Input Connector Diagram

3.1 PRO-4



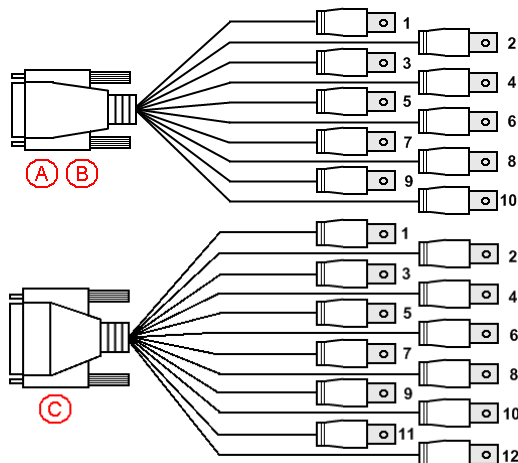
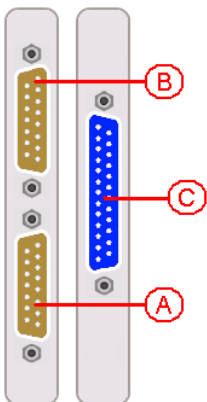
- 1 (Solid Red): Video 1
- 2 (Red/Black): Video 2
- 3 (Red/Blue): Video 3
- 4 (Red/Orange): Video 4
- 5 (Solid White): Audio 1
- 6 (White/Black): Audio 2
- 7 (White/Blue): Audio 3
- 8 (White/Yellow): Audio 4

3.2 PRO-8



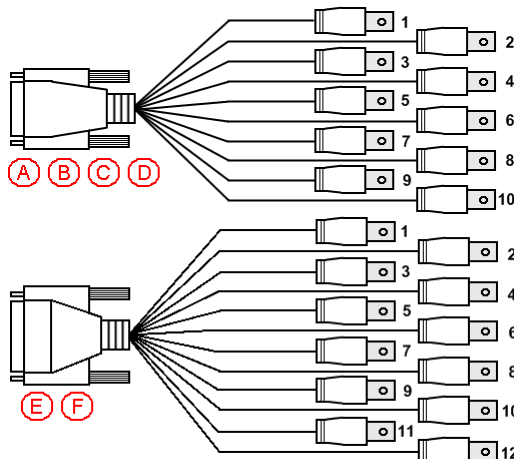
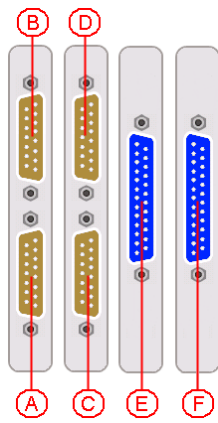
- B) 1 – 4: Video Inputs 5 – 8
5 – 8: Audio Inputs 5 – 8
- A) 1 – 4: Video Inputs 1 – 4
5 – 8: Audio Inputs 1 – 4

3.3 PRO-16



- B) 1 – 8: Video Inputs 9 – 16
9 – 10: Audio Inputs 3 – 4
- A) 1 – 8: Video Inputs 1 – 8
9 – 10: Audio Inputs 1 – 2
- C) 1 – 12: Audio Inputs 5 – 16

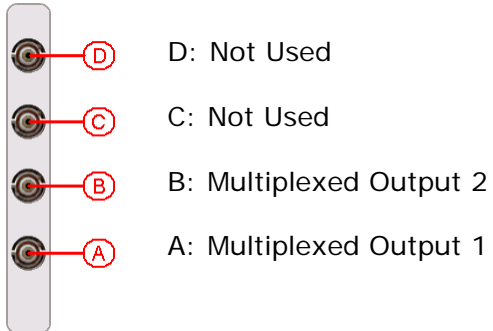
3.4 PRO-32



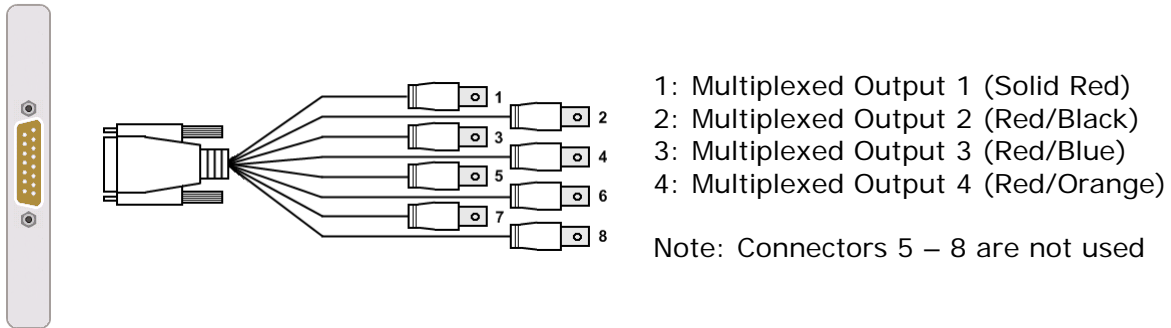
- A) 1 – 8: Video Inputs 1 – 8
9 – 10: Audio Inputs 1 – 2
- B) 1 – 8: Video Inputs 9 – 16
9 – 10: Audio Inputs 3 – 4
- C) 1 – 8: Video Inputs 17 – 24
9 – 10: Audio Inputs 17 – 18
- D) 1 – 8: Video Inputs 25 – 32
9 – 10: Audio Inputs 19 – 20
- E) 1 – 12: Audio Inputs 5 – 16
- F) 1 – 12: Audio Inputs 19 – 24

4 Options

4.1 MUX2



4.2 MUX4



5 Contact Information

If you require more information, or if you have any questions or concerns, please contact 3xLogic Technical Support:
Toll Free (North America): 1-877-3XLOGIC (1-877-395-6442)
Email: support@3xlogic.com
Online: www.3xlogic.com