

VISIX™ 2MP IP Indoor Dome Camera

The VX-2S-D4-RIA is 2 MP indoor dome camera with built-in IR, a vari-focal lens, and WDR. Additionally, the camera is IK10 rated; this combination makes it a highly versatile camera for any indoor application.

This camera has the ability to record a 2MP stream at 60FPS, but supports H.265 and H.265+, resulting in less stress on your network. Additionally, the VX-2S-D4-RIA supports five video streams. This allows you to record a high-resolution, high-framerate stream, while using the other four for lower resolution live viewing, further cutting down pressure on your network.

Fully integrated into the entire VIGIL Software Suite, including VIGIL Client and View Lite II mobile apps, you can use the in and out audio lines for bidirectional communication as well use of the alarm input and output. This allows users to remotely receive notifications of alarms, trigger a relay, and both talk and listen to their site from anywhere in the world.



Key Features and Benefits	
Lens	2.8mm - 12mm
Resolution (Megapixels)	2MP
1920 x 1080 Resolution @ 60fps	✓
H.264/H.264+/H.265/H.265+/MPEG4/MJPEG	✓
Wide Dynamic Range	✓
IR Range	Up to 30 meters
Infrared Cut Filter with Auto Switch	✓
IK10 Impact Protection	✓
ONVIF (PROFILE S, PROFILE G), ISAPI, SDK Compliant	✓
3 Year Warranty	✓

CAMERA

Image Sensor:	1/1.8" Progressive Scan CMOS
Lens:	2.8 ~ 12mm @ F1.2 motorized varifocal lens
Angle of View:	Horizontal FOV 103.3° to 38.6° Vertical FOV 54.2° to 21.9° Diagonal FOV 124.2° to 44.3°
Min. Illumination:	Color: 0.002 Lux @ (F1.2, AGC ON) 0 Lux with IR
IR Range:	Up to 30 Meters
Auto Iris:	DC drive
Day/Night:	IR Cut Filter
Wide Dynamic Range:	Yes; 140dB
Shutter Times:	1 second to 1/100,000 seconds

COMPRESSION STANDARD

Video Compression:	Main Stream: H.265/H.264/H.264+/H.265+ Sub Streams (Incl. Custom): H.265/H.264/MJPEG
Dual Video Streams:	Yes
Audio Compression:	G.711, G.722.1, G.726, MP2L2

IMAGE

Max. Image Resolution:	1920(H) x 1080(V)
Frame Rate:	60 fps (1920 x 1080) @ 60 Hz

NETWORK

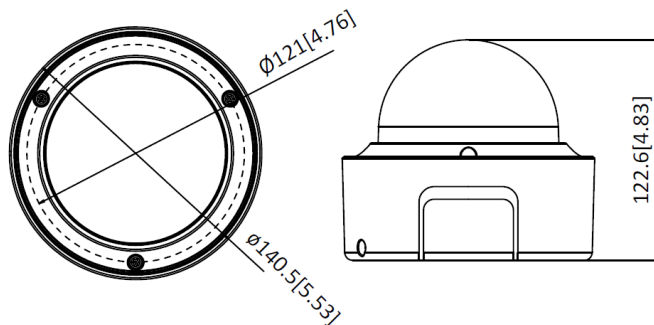
Alarm Triggers:	Motion detection, video tampering alarm, network disconnected, IP address conflict, illegal login, HDD full, HDD error
Security:	User Authentication, Watermark, IP address filtering, Anonymous access, reset
Protocols:	TCP/IP, ICMP, HTTP, HTTPS, FTP, RTP, DHCP, DNS, RTSP, RTCP, DDNS, NTP, PPPoE, UPnP, SMTP, SNMP, IGMP, 802.1X, QoS, IPv6, Bonjour
System Compatibility:	ONVIF (Profile-S, Profile-G), PSIA, CGI, ISAPI

PHYSICAL

Working Temperature:	-30°C - 60°C (-22°F - 140°F); Humidity 95% or less (non-condensing)
Impact Protection:	IK10
Dimensions (inches):	ø5.5" × 4.8"
Dimensions (mm):	ø140.5 × 122.6 mm
Weight:	1.98 lbs. / 900g

ELECTRICAL

Power Supply:	12 VDC ± 20% PoE (802.3af, class 3): 36 V to 57 V): 0.3 to 0.2 A
Power Consumption:	8W with IR cut filter and motorized VF lens



Unit: mm[inch]



INTERFACE

Communication:	1 RJ45 10M/100M Ethernet port, 1 RS-485
Audio Input:	1-channel microphone input, 3.5mm mini-jack (mic-in/line-in)
Audio Output:	1-ch 3.5 mm input (line in), 1-ch 3.5mm output, mono
Alarm Input:	1
Alarm Output:	1

WARRANTY

Three (3) Year Return to Depot Parts and Labor Warranty

CERTIFICATIONS

UL, ULC, FCC, CE

PART NUMBER

VX-2S-D4-RIA: 2MP Indoor Dome IP Camera

RECOMMENDED MOUNTS

VX-WM-D2:	Wall Mount Adaptor
VX-PM-D2:	Pendant Mount Adaptor
VX-FM-D2:	Indoor Ceiling Flush-Mount Adaptor
VX-POLE:	Pole Mount Adaptor
VX-CM:	Corner Mount Adaptor
VX-WMJ-D2:	Wall Mount Adaptor with Junction Box