

VISIX™ V-Series 4MP Outdoor Mini Dome IP Camera with Audio

This low-profile 4MP outdoor mini-dome camera is the perfect combination of form and function providing dual-streaming high-definition video for surveillance applications requiring superior clarity and detail in varying lighting conditions.

The VX-4V28-MD-IAW-02 is packed with all the features you might need for nearly any application including: alarm input/output, motion detection, low-light day/night functionality, onboard Micro SD storage, and compatibility with a wide variety of standardized network protocols.

The aesthetically pleasing mini-dome format allows for easy installation in a wide variety of locations. Designed to continue functioning at temperatures as low as -30°C (-22°F) and as high as 60°C (140°F), the IP66-rated enclosure provides protection in the harshest environments.

Comes standard with a pre-focused 2.8mm fixed lens for ease of installation. Day/Night and Infrared operation allows use in varying lighting conditions down to 0 lux for superior nighttime video.

Dual-streaming compression allows recording at the highest quality while allowing fast live viewing from anywhere in the world regardless of available bandwidth. In addition, with full support for both variable bit rate and variable frame rate, the quality of each stream can be matched to available bandwidth for the most effective video quality possible.

As part of the V-Series line of cameras, the VX-4V28-MD-IAW-02 has onboard storage and, with purchase of appropriate licensing, has the ability to have VIGIL Server installed on the camera. This can make the camera a standalone recording device, allowing storage on the camera as well as redundant recording to a VIGIL Server. As a standalone camera, the VX-4V28-MD-IAW-02 is compatible with the entire VIGIL Software Suite, including direct access through VIGIL Client and our mobile app View Lite II, as well as with VIGIL Central Management for remote health monitoring and notification.

Superior compatibility with all VIGIL™ products allowing the best performance and capabilities possible.



Key Features and Benefits	
Lens	2.8mm Fixed
Resolution (Megapixels)	4
2688 x 1520 Resolution	✓
Angle of View 98°	✓
Digital Wide Dynamic Range	✓
IR Distance	Up to 10M
H.264/H.264+ / H.265/H.265+ / MJPEG	✓
120dB WDR	✓
Two-Way Audio	+
Built-in Mic	✓
Wireless (802.11 b,g,n)	✓
IP66 Rating	✓
IK08 Impact Resistant	✓
V-Series (VIGIL Embedded)	+
3 Year Warranty	✓

+ Optional Part

CAMERA

Image Sensor:	1/3 inch Progressive Scan CMOS
Lens:	2.8mm
Angle of View:	98°
Min. Illumination:	.01 Lux @ F1.2 with Auto Gain Control on 0 Lux with IR
IR Range:	Up to 10 Meters
Day/Night:	IR cut filter
Shutter Times:	1/3 s to 1/100,000 sec.
Wide Dynamic Range:	120dB

COMPRESSION STANDARD

Video Compression:	H.264/H.264+/ H.265/H.265+/MJPEG
Audio Compression:	G722.1/G711ulaw/G711alaw/G726/MP2L2/PCM
Video Bit Rate:	32 Kbps to 16 Mbps
Audio Bitrate:	64Kbps(G.711)/16Kbps(G.722.1)/16Kbps (G.726)/32-192Kbps(MP2L2)
Dual Video Streams:	Yes

IMAGE

Max. Image Resolution:	2688(H) x 1520(V)
Frame Rate:	30 fps (2688x1520)

FUNCTIONS

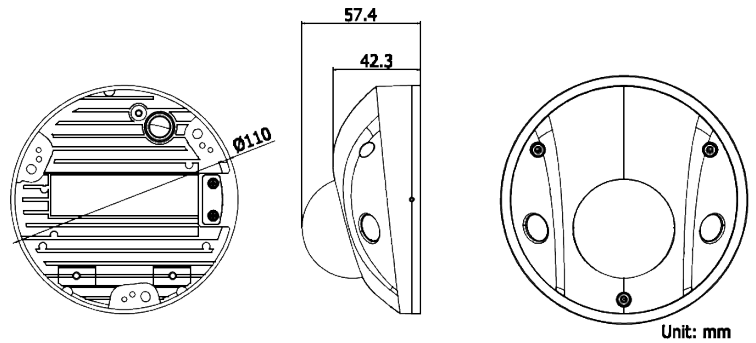
Alarm Triggers:	Motion detection, Tampering alarm, Network disconnect, IP address conflict, Storage exception, Storage error
Local Storage:	Built-in Micro SD card slot, up to 128GB
Security:	User Authentication, Watermark, IP address filtering, anonymous access
Protocols:	TCP/IP, ICMP, HTTP, HTTPS, FTP, DHCP, DNS, DDNS, RTP, RTSP, RTCP, PPPoE, NTP, UPnP™, SMTP, SNMP, IGMP, QoS, IPv6
System Compatibility:	ONVIF (Profile S, G), PSIA, ISAPI

PHYSICAL

Working Temperature:	-30°C ~ 60°C (-22°F ~ 140°F); Humidity 95% max (non-condensing)
Weather Protection:	IP66
Impact Protection:	IEC60068-275, EH, 50J, EN50102, up to IK08
Dimensions (inches):	Φ4.3" × 2.2"
Dimensions (mm):	Φ110 mm × 56.4 mm
Weight:	0.9 lbs. / 400 g

INTERFACE

Communication:	1 RJ45 10M/100M Ethernet port
Alarm Input:	1
Alarm Output:	1
Audio Input:	1-ch built in mic
Audio Output:	Line out, mono sound, terminal block



ELECTRICAL

Power Supply:	12 VDC ± 25%, PoE (802.3af, class 3)
Power Consumption:	12 VDC, 0.7 A, max. 8.5 W, Φ 5.5mm coaxial plug PoE (802.3af, 36 V to 57 V), 0.3 A to 0.1 A, max. 10 W

WARRANTY

Three (3) Year Return to Depot Parts and Labor Warranty

CERTIFICATIONS

FCC, CE, UL, ULC

PART NUMBER

VX-4V28-MD-IAW-02:	4MP IP Outdoor Mini Dome Camera with Audio
-S64	VIGIL Server Stand-Alone Software License with 64GB SD Storage
-S128	VIGIL Server Stand-Alone Software License with 128GB SD Storage

RECOMMENDED MOUNTS

VX-WM-MD:	Wall Mount Adaptor
VX-PM-MD:	Pendant Mount Adaptor
VX-POLE:	Pole Mount Adaptor
VX-CM:	Corner Mount Adaptor

Stand-Alone Server features can easily be added to the camera after installation. Contact your 3xLOGIC Representative for details.