

## VISIX 6MP Outdoor Fisheye with IR, Audio and Alarm I/O w/Mic. IP66/IK9 rated

This 360° IP camera provides affordable, high-definition 100% coverage with the ability to digitally pan, tilt and zoom (PTZ) to any location. The VX-6M-360-IA-02 is ideal for low or no light environments. With a 6.4MP image processor capable of displaying up to 2592 x 1944 pixels when dewarped, this vandal-resistant network dome camera is designed to integrate seamlessly with the full family of VIGIL Video-Management System (VMS) software modules.

3xLOGIC Panoramic De-warping Software allows users to achieve real-time viewing of an entire scene from a single camera. Users can simultaneously view a panoramic 360° image as well as three (3) distortion-corrected images on individual subset screens each supporting full-function digital PTZ capabilities. The flush-mount format allows for easy and secure installation in a wide variety of indoor applications.

The VX-6MP-360-IA-02 is packed with features you might need for nearly any application including: motion detection, compatibility with a wide variety of standardized network protocols, built in microphone for two way voice. In addition, this camera is designed to continue functioning at top performance at temperatures as low as -30°C (-22°F) and as high as 50°C (122°F) allowing a wide range of applications.

When coupled with the VIGIL™ Series of digital video recorders (DVR) and Video Management System (VMS) software, superior point-to-point hardware compression and decompression allows for maximum performance of streamed live video providing better video quality, more concurrent streams and a lower overall hit to CPU performance.



### Typical Use Cases



**RETAIL**



**K-12  
EDUCATION**



**WAREHOUSE &  
DISTRIBUTION**

### Key Features and Benefits

<b>Lens</b>	<b>1.55mm @F2.5</b>
<b>Megapixel (Fisheye / Dewarped)</b>	<b>6.4MP / 5MP</b>
<b>Dewarped Resolution</b>	<b>2592 x 1944</b>
<b>360° Field of View</b>	<b>✓</b>
<b>Infrared(Low-Light/No-Light)</b>	<b>✓</b>
<b>H.264, H.265, MJPEG Compression</b>	<b>✓</b>
<b>Two-Way Audio</b>	<b>✓</b>
<b>Impact Resistance</b>	<b>IK9</b>
<b>Weather Resistance</b>	<b>IP66</b>

### What's in the Box

Template Sheet  
Torx Wrench  
Waterproof Cap & Gasket

Screw & Anchor  
Mount Bolt & Nut  
Mount Plate

### Camera

Image Sensor:	1/1.8" 6.4M CMOS (Sony Starvis)
Lens	1.55mm, F2.5
Motorized?	No
Angle of View	D:185°, H:185°, V:185°
Min Illum	0.09Lux, 0Lux with IR (F2.5)
IR Range	30m
Shutter Time	1/15 ~ 1/32000
Day/Night	TDN (True Day & Night)
WDR	No

### Compression Standard

Video Compression	H.264, H.265, MJPEG
Bit Rate	100Kbps ~ 10Mbps
Video Streams	2592x1944p30 + 480p30

### Image

Max Image Resolution	2592(H) X 1944(V)
Frame Rate	30fps

### Functions

Alarm Triggers	Motion Alarm, Network disconnection, Temperature critical
Audio Compression	G.711
Security	HTTPS(SSL), IP filtering, 802.1x
Protocols	TCP/IP, UDP, AutoIP, RTP(UDP/TCP), RTSP, NTP, HTTP, HTTPS, SSL, DNS, DDNS, DHCP, FTP, SMTP, ICMP, SNMPv1/v2/v3(MIB-2), ONVIF CGI API, ONVIF (Profile S)
System Compatibility	CGI API, ONVIF (Profile S)

### Physical

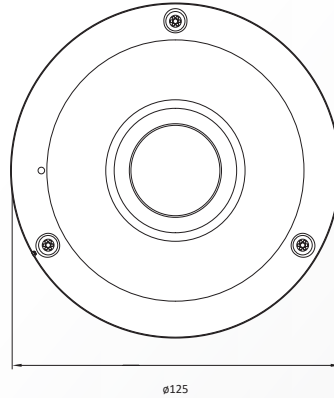
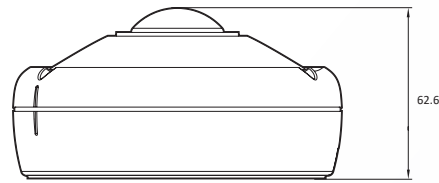
Operating Conditions	-30°C ~ 50°C (-22°F ~ 122°F)
Humidity	10~90% RH (non-condensing)
Weather Proof Rating	IP66
Impact Protection	IK9
Housing Material	Aluminum
Dome Material	Lexan 143R
Dimensions (D x H)	125 mm x 65.9 mm
Weight	0.5kg
Local Storage	128GB Max. Micro SD / SDHC / SDXC

### Electrical

Power Supply	DC DC12V / POE IEEE 802.3af
Power Consumption	DC12V Max7.5W / PoE Max8.7W

### Certifications and Compliance

FCC Part 15, Subpart B, Class A  
 CAN ICES-3 (A)/NMB-3(A)  
 UL and ULC Safety  
 CE  
 NDAA Compliant



### Part Number

Part Number	VX-6M-360-IA-02
-------------	-----------------

### Interface

Communication	RJ45(10/100BASE-T)
Alarm Input	1
Alarm Output	1
Audio Input	1 (Built in MIC)
Audio Output	1

### Warranty

Four (4) years

### Recommended Mounts

VX-PM-BC10	Pendant Mount
VX-CM-BC04	Corner Mount
VX-POLE-BP04	Pole Mount
VX-JB-BJC03	Junction Box
VX-WM-BW10	Wall Mount