

VISIX™ 8MP High-Definition IP Vandal-Resistant Dome Camera

This 8MP IP camera provides affordable, high-definition coverage of any indoor or outdoor area. Displaying up to 3840 × 2160 pixels, this vandal-resistant network dome camera is designed to integrate seamlessly with the full family of VIGIL™ Video Management System (VMS) software modules. The IP67 enclosure provides superior protection in harsh environments, and its flush-mount format allows for easy and secure installation in a wide variety of indoor/outdoor applications.

The VX-8S-OD4-RIAWD is packed with features perfect for nearly any application including: motion detection, remote focus, IR and Digital Wide Dynamic Range. In addition, this camera is designed to continue functioning at top performance at temperatures as low as -30°C (-22°F) and as high as 60°C (140°F).

Dual-streaming compression provides recording at the highest quality while allowing fast live viewing from anywhere in the world regardless of available bandwidth. With full support for both variable bit rate and variable frame rate, the quality of each stream can be matched to available bandwidth for the most effective video quality possible.

When coupled with the VIGIL™ Series of Network Video Recorders (NVR) and Video Management System (VMS) software, superior point-to-point hardware compression and decompression allows for maximum performance of streamed live video, providing better video quality, more concurrent streams and a lower overall hit to CPU performance.



Key Features and Benefits	
Lens	2.8-12mm Varifocal Lens
Resolution (Megapixels)	8
H.264/H.264+/ H.265/H.265+/MJPEG	✓
2-Way Audio	+
Remote Focus	✓
IP67	✓

+ Optional Kit

CAMERA

Image Sensor:	1/1.8" Progressive Scan CMOS
Lens:	2.8mm - 12mm @ F1.2 with Auto Iris Angle of View: 112.4 to 41
Min. Illumination:	0.07 lux @ F1.2 with Auto Gain Control (AGC) 0 Lux with IR
IR Range:	30 Meters
Angle Adjustment:	Pan: 0° - 35°; Tilt: 0° - 75°
Shutter Time:	1/100,000s
Day/Night:	Infrared, IR Cut Filter with Auto Switch
Wide Dynamic Range:	Yes; 120db

COMPRESSION STANDARD

Video Compression:	H.264/H.264+/H.265/H.265+/MJPEG
Video Bit Rate:	32 Kbps - 16 Mbps
Dual Video Streams:	Yes
Audio Compression:	G.711/G.722.1/G.726/MP2L2

IMAGE

Max. Image Resolution:	3840 × 2160
Frame Rate:	25fps (3840 × 2160, 3200 × 1800, 2560 × 1440, 1920 × 1080, 1080 × 720) 30fps (3840 × 2160, 3200 × 1800, 2560 × 1440, 1920 × 1080, 1080 × 720)
Digital Noise Reduction:	BLC, HLC, Defog, EIS
Day/Night Switch:	Auto/Schedule/Day/Night/Triggered by Alarm
Image Setting:	Rotate Mode, Saturation, Brightness, Contrast, Sharpness, AGC, White Balance

NETWORK

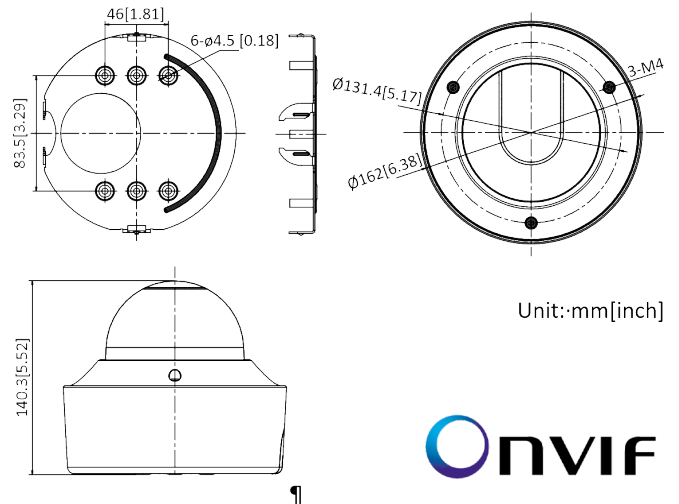
Alarm Triggers:	Motion Detection, Video Tampering Alarm, Network Disconnected, Ip Address Conflict, Illegal Login, Hdd Full, HDD Error
Local Storage:	Built-in SD/SDHC/SDXC slot, up to 128GB
Security:	Password Protected, Watermark, User Authentication, IP Address Filtering, Anonymous Access
Protocols:	Password Protection, HTTPS Encryption, IEEE 802.1X Port-Based Network Access Control, IP Address Filter, Basic And Digest Authentication For HTTP/HTTPS, WSSSE And Digest Authentication For ONVIF
System Compatibility:	ONVIF (Profile S), CGI, ISAPI

PHYSICAL

Working Temperature:	-30°C - 60°C (-22°F - 140°F); Humidity 95% or less
Weather-proof Rating:	IP67
Impact Protection:	IK10
Dimensions (inches):	Φ6.4" × 5.5"
Dimensions (mm):	Φ162 × 140.3 mm
Weight:	3.20 lbs. / 1450g

ELECTRICAL

Power Supply:	12 V, voltage range of 10 to 48 VDC allowed, two-core terminal block. PoE (802.3at, class 4)
Power Consumption:	12 VDC, 0.95 A, max. 10 W; PoE (802.3at, 42.5 V to 57 V), 0.3 A to 0.2 A, class 4



INTERFACE

Communication:	1 RJ45 10/100/1000Mbps Ethernet port & 1 RS-485
Audio Input:	1-channel microphone input, 3.5mm mini-jack
Audio Output:	1-channel 3.5mm audio interface
Alarm Input:	1
Alarm Output:	1

WARRANTY

Three (3) Year Return to Depot Parts and Labor Warranty

CERTIFICATIONS

FCC, CE

PART NUMBER

VX-8S-OD4-RIAWD: 8MP Outdoor Vandal Dome IP Camera

RECOMMENDED MOUNTS

VX-PM-147:	Pendant Mount
VX-WM-147:	Wall Mount
VX-POLE-147:	Indoor Housing
VX-CM-147:	Outdoor Housing