



LE

Wireless mortise lock with  
ENGAGE™ technology

## Overview

The Schlage® LE wireless mortise lock with ENGAGE™ technology is designed to affordably extend electronic access control deeper into the building beyond traditional perimeter and high security openings. The LE is ideal for commercial real estate, K-12, higher education, assisted living, medical offices, or multi-family applications. Facilities can benefit from the enhanced security, efficiency, and convenience of upgrading to electronic credentials.

LE wireless locks simplify installation by combining the lock, credential reader, door position sensor and request-to-exit switch all in one unit. LE wireless locks require only minor modifications to existing mechanical mortise prep with no wires to run to the lock or additional hardware necessary. LE suites with the most popular Schlage L Series decorative levers, keyways, and finishes, providing attractive options to meet the requirements of nearly any facility. LE is ideal for office and suite entries, conference rooms, common area doors, resident units, and sensitive storage areas with a mortise door prep.

Built-in Bluetooth® enables LE wireless locks to connect directly to smart phones and tablets; no need for a proprietary handheld device for set-up and configuration. And with built-in Wi-Fi®, LE locks can connect directly to an existing Wi-Fi network enabling automated updates to lock configuration and user access. With the ENGAGE cloud-based web and mobile apps, it's easy to configure lock settings, add users, and view audits and alerts from virtually anywhere.

For advanced capabilities including networked real-time communication with the ENGAGE™ Gateway, LE wireless locks can be managed with an integrated solution from one of our Software Alliance Members. For additional details, please refer to the LE Integrations found in the Alliances menu on our website at [www.us.allegion.com](http://www.us.allegion.com).

LE wireless locks are compatible with most proximity and smart credentials, including those from Schlage and aptiQ™.



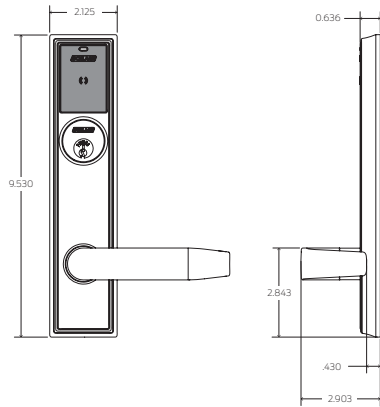
## Features and benefits

- Designed to be easy to install, connect, manage, and use for perimeter and interior door applications
- Suites with mechanical L Series with 31 levers and 2 knobs
- Weather-resistant design for use on perimeter doors
- MS mortise with indicator, MB mortise with push button, and MD mortise deadbolt available to configure applications for storeroom, privacy, apartment, and office
- Lever handing is field changeable on most styles. See price book.
- Innovative integrated door position switch requires no additional door prep<sup>1</sup>
- Built-in Bluetooth® enables wireless configuration from smart phones and tablets
- Built-in Wi-Fi® enables automated daily updates sent directly from host software
- Networked real-time communication with the ENGAGE Gateway and Software Alliance Member system
- Up to 2 years of battery life
- ANSI/BHMA A156.25 (indoor/outdoor), ANSI/BHMA Grade 1, UL 294, ULC S319, UL10C (3-hour fire rated), FCC Part 15, ADA, RoHS, FL3905, FL12400 and FL14482

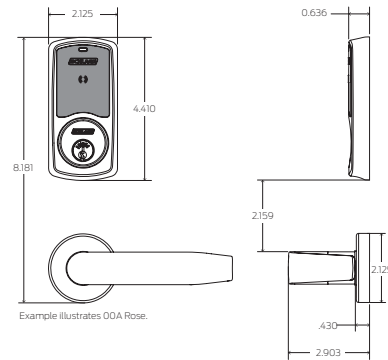
<sup>1</sup> Door position switch requires additional prep for mortise deadbolt (MD) applications

## Exterior of the lock

### Addison

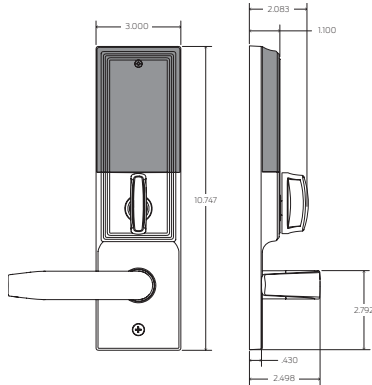


### Greenwich

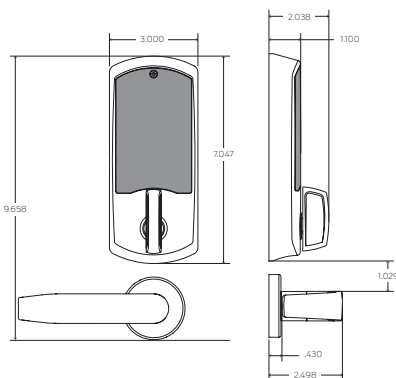


## Interior of the lock

### Addison



### Greenwich



## LE wireless lock specifications

Users	Up to 5,000 <sup>1</sup>
Audits	Up to 2,000 <sup>2</sup>
Credential verification time	≤ 1 second <sup>3</sup>
Visual communications	Exterior LED (red, amber, green); Interior LED (red, green)
Audible communications	Audible indicator (field configurable)
Communication standards	<ul style="list-style-type: none"> <li>2.4 GHz Wi-Fi® (IEEE 802.11b/g/n)</li> <li>WPA2, WPA, WEP, 802.1x</li> <li>Bluetooth low energy (version 4.2)</li> <li>Transport Layer Security (TLS) version 1.2</li> <li>Advanced Encryption Standard (AES), 256-bit</li> </ul>
Gateway communication range	Up to 30' in typical building environments. A detailed site survey is recommended. Reference ENGAGE™ Gateway Data Sheet for additional detail.
Wake-Up on Radio	Responds to command from host in less than 5 seconds when linked to ENGAGE Gateway (requires Software Alliance Member system)
Data rate:	54 Mbps via Wi-Fi
Connectivity options	<ul style="list-style-type: none"> <li>Mobile (send updates at the lock)</li> <li>Wi-Fi access point (automatic daily updates<sup>7</sup>)</li> <li>No-Tour with MT20W enrollment reader and smart credentials</li> <li>ENGAGE Gateway (real-time communication)                             <ul style="list-style-type: none"> <li>RS-485 to ACP or IP to host</li> </ul> </li> </ul>
Battery life	Up to 2 yrs with 4 AA batteries <sup>4</sup>
Operating temperature	Exterior: -31° to 151°F (-35° to 66°C) Interior: 32° to 120°F (0° to 49°C) (battery)
Operating humidity	0 - 100% non-condensing
Certifications	ANSI/BHMA A156.25-2013 (Indoor/Outdoor), ANSI/BHMA A156.13-2012, Series 1000, Grade 1, UL 294, ULC S319, UL10C (3-hour fire rated), FCC Part 15, IC RSS-210, ADA, RoHS, ICC ANSI A117.1, FL3905, FL12400 and FL14482

### Chassis/functions

- MS mortise with indicator:
  - Storeroom
- MB mortise with push button:
  - Privacy
  - Office
  - Apartment
- MD mortise deadbolt:
  - Privacy
  - Apartment

### Available status signals

- Request-to-exit
- Door position
- Interior cover tamper<sup>5</sup>
- Battery status
- Lock/unlock status<sup>6</sup>
- Communication status<sup>5</sup>
- Deadbolt position status (MD only)<sup>5</sup>
- Interior pushbutton status (MB only)<sup>5</sup>

### Flexible solutions

LE wireless locks offer connectivity options to fit any size budget or business.

- Mobile
- Wi-Fi
- Real-time with ENGAGE Gateway
- No-Tour with MT20W

## ENGAGE™ cloud-based web and mobile applications



The ENGAGE cloud-based web and mobile applications deliver simple and convenient site set-up with basic access management for users and locks.<sup>1,3</sup> Please refer to the ENGAGE data sheet for additional detail.



<sup>1</sup> Maximum database storage capacity of lock. Can vary by access control software database capacity when linked with an ENGAGE Gateway RS-485 to ACP.

<sup>2</sup> Maximum audit storage capacity of lock. Can vary by access control software audit storage capacity when linked with an ENGAGE Gateway RS-485 to ACP.

<sup>3</sup> Response time does not include latency time of host when linked with an ENGAGE Gateway or when using No-Tour.

<sup>4</sup> Assuming indoor application, 13.56 MHz CSN credential, 80 actuations, interior LED disabled and one Wi-Fi update per day.

<sup>5</sup> Consult your access control software provider for specific scope of support.

<sup>6</sup> Software indicates lock/unlock status based on sequence of events.

<sup>7</sup> Daily update will occur within 24 hours as scheduled by the host.

## Mechanical specifications

Chassis	MS mortise with LED indicator; MB mortise with push button and LED; MD mortise with deadbolt and LED
Handing	Handed to order, field reversible
ANSI standard (Meets or exceeds)	ANSI/BHMA A156.25-2013 (Indoor/Outdoor) ANSI/BHMA A156.13-2012, Series 1000, Grade 1 With interchangeable core cylinders: Grade 2 Security
Door thickness	Standard: 1 3/4" (44 mm) Optional: 1 3/4" (44 mm) to 2 1/4" (57 mm) optional <sup>1</sup>
Backset	Standard: 2 3/4" (70mm)
Latch bolt	Standard: 3/4" (19 mm) throw stainless steel latch bolt with anti-friction tongue
Deadbolt	Standard: 1" (25 mm) throw stainless steel deadbolt
Levers	Forged brass or bronze
Strike	Standard: ANSI 1 1/4" x 4 7/8" (32 mm x 124 mm) x 1 3/16" (30 mm) curved lip strike with dust box Optional: Additional strike lip lengths and ANSI strike box available
Cylinder and keys	Standard: Patented Schlage 6-pin Everest 29 S123 keyway. Additional keying options available: Conventional and interchangeable cores, master keying, and grand master keying. Compatible with competitor cylinders and cams that support the L9000 Series.
Armored front	1 1/4" x 8" x 7/32" (32mm x 203 mm x 6 mm) only

Compatible cylinders	Mortise cylinder	Full size interchangeable core - FSIC	Small format interchangeable core - SFIC
With cylinder	P, Z	R	GD
Less cylinder	L	J*	BD*
Construction core	—	T	HD
Disposable core	—	—	BDC

\*Sold with cylinder housing - less core.

Note: Available in formats to support residential customers - 5-pin cylinder with C keyways. Need to specify keyway and pinning needs. Standard if not specified - P, 6-pin Everest 29 with S123 keyway.

## Multi-technology reader specification

Frequency	125 kHz proximity and 13.56 MHz smart credential
Standards	ISO standard 15693 and ISO 14443
Maximum read range	Up to 1.25" on 125 kHz proximity, up to 0.75" on 13.56 MHz smart credential
125 kHz proximity credential compatibility	<b>Compatibility:</b> Schlage®, XceedID®, HID®, GE/CASI ProxLite®, AWID® and LenelProx® <b>Schlage credential style formats:</b> Clamshell, ISO card, ISO card with magnetic stripe, keyfob, thin keyfob and PVC adhesive disk
13.56 MHz smart credential compatibility <sup>3</sup>	<b>Secure sector compatibility:</b> Schlage and aptiQ™ MIFARE Classic®, XceedID, Schlage MIFARE Plus®, Schlage and aptiQ MIFARE® DESFire® EV1 with PACSA, Schlage and aptiQ mobile credentials <b>CSN only compatibility:</b> DESFire, HID iClass®, Inside Contactless Pico Tag®, MIFARE, MIFARE DESFire EV1, ST Microelectronics®, Texas Instruments Tag-It®, Phillips I-Code® <b>Schlage credential style formats:</b> Clamshell, ISO card, ISO card with magnetic stripe, keyfob, thin keyfob, wearable wristband, mobile, PVC adhesive patch

## Benefits of LE multi-technology readers:

- Reads both proximity (125 kHz) and smart (13.56 MHz) technologies with single device
- LE multi-technology readers are NFC compatible<sup>2</sup> and enable use with Schlage or aptiQ mobile credentials
- Allows end user to migrate to more secure credentials over time and as budgets permit

<sup>1</sup> SFIC limited to 2" max

<sup>2</sup> Refer to Schlage/aptiQ mobile credential compatibility chart for a list of certified devices.

<sup>3</sup> No-Tour applications require a 1K Byte Schlage or aptiQ MIFARE smart credential

# Ordering information

LE - MS - GRW - P - 07 - 626 - 00A - 17 - 612 - 00A - LH - 10-136 - 134 - S123

Series	Chassis/function	Style	Cylinder type	Outside			Inside (optional)			Handing	Strike lip	Door thickness	Key system	Additional options
				Lever style	Finish	Rose (GRW only)	Lever style	Finish	Rose (GRW only)					
1	2	3	4	5	6	7	8	9	10	11	12	13	14	15

Selections correspond with the numbers above

Standards options are indicated in bold. See price book for specific configuration options.

## 1 Series / 2 Chassis/Function

LEMS	Mortise with indicator only
LEMB	Mortise with interior push button
LEMD	Mortise with deadbolt

See price book for descriptions of functions available.

## 3 Style

GRW	Greenwich (sectional)
ADD	Addison (escutcheon)

## 4 Cylinder type

P	Mortise cylinder, 5- or 6-pin
---	-------------------------------

See price book for other mortise cylinder, SFIC, FSIC and Less Cylinder options.

## 5/8 Lever style

Available in 31 levers and two knob styles including most M Series decorative lever options. Examples:

03	Suites with Tubular
06	Suites with Rhodes
07	Suites with Athens
17	Suites with Sparta
LAT	Latitude

## 6/9 Finish

626	Satin chrome
605	Bright brass
606	Satin brass
612	Satin bronze
619	Satin nickel
622	Matte Black
625	Bright chrome
643e	Aged bronze
626AM	Satin chrome antimicrobial

## 7/10 Rose (GRW style only)

00A	2 1/8" (54 mm) diameter
00B	2 9/16" (65 mm) diameter
00C	2 5/8" (66 mm) diameter with bevel (not available in 612 finish)

MER and AVA decorative rose options are also available, but only with MER and ACC lever styles. Inside rose will default to outside unless specified.

## 11 Handing

RH	Right hand
LH	Left hand
RHR	Right hand reverse
LHR	Left hand reverse

Defaulted to Right Hand, if not specified. The chassis can be changed in the field, with some exceptions. See pricebook for additional details.

## 12 Strike plate/lip length

10-136	1 3/16" lip length (MS and MB)
10-072	1 3/16" lip length (MD)

Additional lip length options 7/8" to 1 3/4". See price book for details.

## 13 Door thickness

134	1 3/4" (44 mm)
-----	----------------

Optional: 1 3/4" (44 mm) to 2 1/4" (57 mm). 2" maximum door thickness on SFIC cylinders. See price book for additional details.

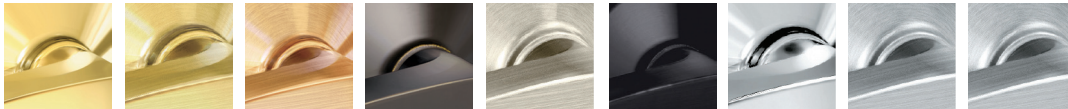
## 14 Keying type

S123	Everest 29
------	------------

See price book for other available keyway options including master keying.

## 15 Additional options

# Finishes



605 Bright brass	606 Satin brass	612 Satin bronze	643e Aged bronze	619 Satin nickel	622 Matte Black	625 Bright chrome	626 Satin chrome	626AM Satin chrome with antimicrobial
---------------------	--------------------	---------------------	---------------------	---------------------	--------------------	----------------------	---------------------	--

Allegion, the Allegion logo, aptiQ, ENGAGE technology, the ENGAGE technology logo, Schlage, the Schlage logo and XceedID are trademarks of Allegion plc, its subsidiaries and/or affiliates in the United States and other countries. All other trademarks are the property of their respective owners.

## About Allegion

Allegion (NYSE: ALLE) is a global pioneer in safety and security, with leading brands like CISA®, Interflex®, LCN®, Schlage®, SimonsVoss® and Von Duprin®. Focusing on security around the door and adjacent areas, Allegion produces a range of solutions for homes, businesses, schools and other institutions. Allegion is a \$2 billion company, with products sold in almost 130 countries. For more, visit [www.allegion.com](http://www.allegion.com).

