

VISIX 2MP Outdoor Dome with Remote Focus (2.8-12mm), IR, Audio and Alarm I/O, True WDR, and Heater

This rugged two (2) megapixel IP outdoor vandal dome camera is the perfect combination of form and function. With its infrared LEDs and its heated enclosure, the VX-2M-OD-RIAWH delivers high-definition video for network video surveillance applications requiring superior clarity and detail in varying lighting and weather conditions.

The IP68-rated enclosure provides protection in the harshest environments for superior dust and water resistance. This vandal dome camera allows for easy installation in a wide variety of areas. Designed to continue functioning at top performance at temperatures as low as -40°C (-40°F) and as high as 50°C (122°F), this cameras heater allows for a wide range of applications.

When coupled with the VIGIL™ Series of digital video recorders and Video Management System (VMS) software, superior point-to-point hardware compression and decompression allows for maximum performance of streamed live video providing better video quality, more concurrent streams and a lower overall consumption of CPU performance.



Typical Use Cases



RETAIL



**HOTEL &
RESTAURANT**



INDUSTRIAL

Key Features and Benefits

Resolution	2 MP(1920 x 1080)
Frame Rate	30 fps
Compression	H.265/H.265/MJPEG
Lens	2.8-12mm Varifocal
Remote Focus	✓
WDR	120 dB
On-Camera Storage	128GB
Built-in IR	✓
Outdoor	IP68
Impact	IK10
Warranty	4-Year

What's in the Box

Template Sheet
Torx Wrench
Screws & Anchors
Test Video Cable
Moisture Absorber & Guide DC
Power Adaptor

Camera

Image Sensor:	1/2.8" 2.1M CMOS (Sony Starvis)
Lens	2.8-12mm F1.4
Motorized?	Yes
Angle of View	D:41°~113°, H:35°~96°, V:20°~51°
Min Illum	0.02Lux, 0Lux with IR (F1.4)
IR Range	30m
Shutter Time	1/15 ~ 1/32000
Day/Night	TDN (True Day & Night)
WDR	WDR - 120dB

Compression Standard

Video Compression	H.264, H.265, MJPEG
Bit Rate	100Kbps ~ 10Mbps
Video Streams	1080p30 + D1(704x480 or 704x576) p30

Image

Max Image Resolution	1920 x 1080
Frame Rate	30 fps

Functions

Alarm Triggers	Motion, Network disconnection, Temperature critical
Local Storage	Micro SD / SDHC / SDXC
SD Card Capacity	128GB
Audio Compression	G.711
Security	HTTPS(SSL), IP filtering, 802.1x, Digest Authentication
Protocols	TCP/IP, UDP, AutoIP, RTP(UDP/TCP), RTSP, NTP, HTTP, HTTPS, SSL, DNS, DDNS, DHCP, FTP, SMTP, ICMP, SNMPv1/v2/v3(MIB-2), ONVIF
System Compatibility	CGI API, ONVIF (Profile S)

Physical

Operating Conditions	-40°C ~ 50°C (-40°F ~ 122°F)
Humidity	10~90% RH (non-condensing)
Weather Proof Rating	IP68
Impact Protection	IK10
Housing Material	Aluminum
Dome Material	Lexan 143R
Dimensions (D x H)	Ø 139 mm x 125.4mm
Weight	1.25kg

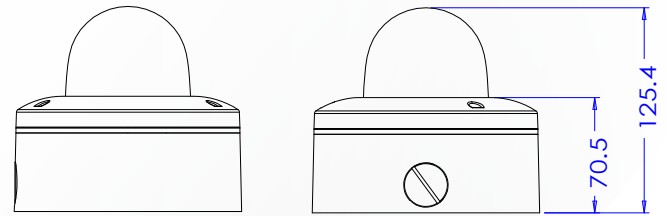
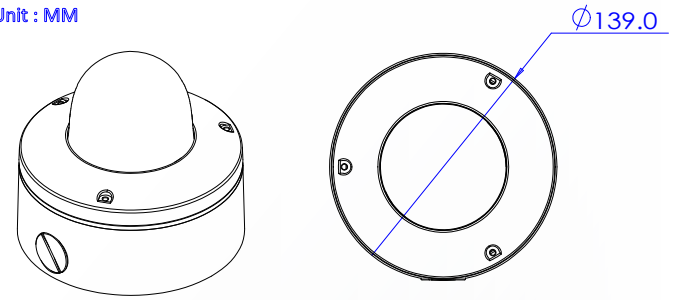
Electrical

Power Supply	DC DC12V POE IEEE 802.3af class3
Power Consumption	DC12V Max 7.5W PoE Max 9.5W 1[1.0Vms, 3K ohm]

Certifications and Compliance

FCC Part 15, Subpart B, Class A
CAN ICES-3 (A)/NMB-3(A)
UL and ULC Safety
CE
NDA Compliant

Unit : MM



Interface

Communication	RJ45(10/100BASE-T)
Alarm Input	1
Alarm Output	1
Video Output	1 [CVBS 1.0V p-p (75Ω)], 4:3 aspect ratio
Audio Input	1[1.0Vms, 3K ohm]
Audio Output	1

Part Number

VX-2M-OD-RIAWH

Warranty

Four (4) years

Recommended Mounts

VX-WM-BW05	Wall Mount
VX-CM-BC04	Corner Mount
VX-POLE-BP04	Pole Mount
VX-PM-BC07	Pendant Mount