

## VISIX 2MP Outdoor Bullet Camera 1080p Analog HD with Remote Focus, IR, WDR

The VA-MB-OD-RIWH-02 is a 2 megapixel, high resolution, low distortion, and low noise 1080p HD analog bullet camera. The VA-2MB-OD-RIWH-02 features a high performance CMOS sensor producing a high quality image suitable for replacing aging analog cameras without replacing existing coaxial cabling. Whether you're replacing existing cameras or installing new, the VA-2MB-OD-RIWH-02 will detect 24VAC and 12VDC.

A pigtail to convert power to female plug is included if replacing an existing analog camera. Features such as remote focus, IR, and wide dynamic range (WDR) are included. A true day/night camera for use in low-light conditions down to 0 lux (with IR), the standard IR cut filter with auto switch, provides superior night-time video. This camera is designed to continue functioning at top performance at temperatures as low as -40°C (-22°F) and as high as 50°C (122°F) allowing a wide range of applications. Superior compatibility with VIGIL™ products via VIGIL Server allows for the best performance and capabilities possible. VIGIL Server's intuitive design provides ease of use for the most basic user while providing virtually unlimited flexibility for the advanced. VIGIL Server has also been engineered to be securely and seamlessly accessible via 3xLOGIC's remote VIGIL Client and VIEW Lite II utilities, giving you access to your Server and its cameras from single or multiple remote location(s). By leveraging VIGIL Server's rich feature set, including simple and efficient playback search and review, Smart Search, motion recording and alarms, the VISIX Analog HD camera line can greatly increase your surveillance capabilities while requiring none of the additional costs that are often associated with replacing existing cabling or installing an entirely new infrastructure to support an IP camera network.



### Typical Use Cases



**WAREHOUSE & DISTRIBUTION**



**FINANCE & BANKING**



**HOTEL & RESTAURANT**

### Key Features and Benefits

<b>Resolution</b>	<b>2 MP(1920x1080)</b>
<b>Frame Rate</b>	<b>30 fps</b>
<b>Lens</b>	<b>2.8-12mm Varifocal</b>
<b>WDR (True)</b>	<b>120 dB</b>
<b>Built-in IR</b>	<b>Up to 50m</b>
<b>Outdoor</b>	<b>IP66</b>
<b>Impact</b>	<b>IK9</b>
<b>OSD Menu</b>	<b>✓</b>
<b>Warranty</b>	<b>4-Year</b>

### What's in the Box

Template Sheet  
Torx Wrench  
Screw & Anchor  
Test Video Cable

Moisture Absorber & Guide  
DC Plug Cable

### Camera

Image Sensor:	Panasonic 1/3" CMOS
Lens	2.7-12mm, F1.4
Motorized?	Yes
Angle of View	D:99.8°, H:86°, V:46.8
Min Illum	0.03Lux (F1.4, 30IRE), 0 lux(With IR)
IR Range	50m
Shutter Time	1/30(25)-1/30000
Day/Night	TDN (True Day & Night)
WDR	WDR - 120dB

### Compression Standard

Video Compression	AHD/TVI/CVI/CVBS
Video Streams	1080p30fps

### Image

Max Image Resolution	1920 X 1080
Frame Rate	30fps

### Physical

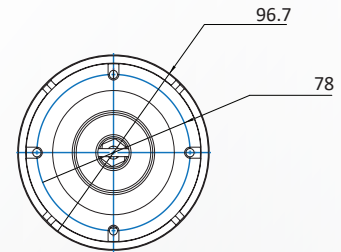
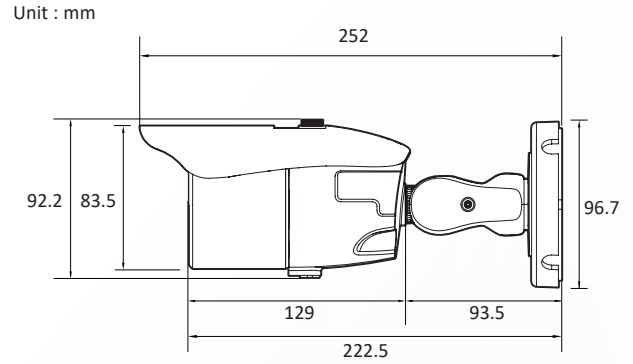
Operating Conditions	-30°C ~ 50°C (-22°F ~ 122°F)
Humidity	10-90% RH (non-condensing)
Weather Proof Rating	IP66
Impact Protection	IK9
Housing Material	Aluminum
Window Material	PC 1811, 835
Dimensions (D x H)	252 x 96.7mm (9.92 x 3.81 in)
Weight	0.75kg

### Electrical

Power Supply	DC12V/AC24V Dual Voltage
Power Consumption	C12V(LED OFF) : 3.0W DC12V(LED ON) : 6.0W AC24V(LED OFF) : 2.7W AC24V(LED ON) : 5.5

### Certifications and Compliance

FCC Part 15, Subpart B, Class B  
 CAN ICES-3 (A)/NMB-3(A)  
 UL and ULC Safety  
 CE  
 NDAA Compliant



### Interface

Alarm Output	1
Video Output	AHD/TVI/CVI/CVBS

### Part Number

VA-2MB-OD-RIWH-02

### Warranty

Four (4) years

### Recommended Mounts

VX-POLE-BP07	Pole Mount
VX-JB-BJC07	Junction Box