

VISIX 6MP Outdoor Fisheye with IR, Audio and Alarm I/O w/Mic. IP66/IK9 rated

This 360° IP camera provides affordable, high-definition 100% coverage with the ability to digitally pan, tilt and zoom (PTZ) to any location. The VX-6M-360-IA-02 is ideal for low or no light environments. With a 6.4MP image processor capable of displaying up to 2592 x 1944 pixels when dewarped, this vandal-resistant network dome camera is designed to integrate seamlessly with the full family of VIGIL Video-Management System (VMS) software modules.

3xLOGIC Panoramic De-warping Software allows users to achieve real-time viewing of an entire scene from a single camera. Users can simultaneously view a panoramic 360° image as well as three (3) distortion-corrected images on individual subset screens each supporting full-function digital PTZ capabilities. The flush-mount format allows for easy and secure installation in a wide variety of indoor applications.

The VX-6MP-360-IA-02 is packed with features you might need for nearly any application including: motion detection, compatibility with a wide variety of standardized network protocols, built in microphone for two way voice. In addition, this camera is designed to continue functioning at top performance at temperatures as low as -30°C (-22°F) and as high as 50°C (122°F) allowing a wide range of applications.

When coupled with the VIGIL™ Series of digital video recorders (DVR) and Video Management System (VMS) software, superior point-to-point hardware compression and decompression allows for maximum performance of streamed live video providing better video quality, more concurrent streams and a lower overall hit to CPU performance.



Typical Use Cases



RETAIL



K-12
EDUCATION



WAREHOUSE &
DISTRIBUTION

Key Features and Benefits

Lens	1.55mm @F2.5
Megapixel (Fisheye / Dewarped)	6.4MP / 5MP
Dewarped Resolution	2592 x 1944
360° Field of View	✓
Infrared(Low-Light/No-Light)	✓
H.264, H.265, MJPEG Compression	✓
Two-Way Audio	✓
Impact Resistance	IK9
Weather Resistance	IP66
Base Analytics	✓

What's in the Box

Template Sheet
Torx Wrench
Waterproof Cap & Gasket

Screw & Anchor
Mount Bolt & Nut
Mount Plate

Camera

Image Sensor	1/1.8" 6.4M CMOS (Sony Starvis)
Lens	1.55mm, F2.5
Motorized?	No
Angle of View	D:185°, H:185°, V:185°
Min Illum	0.09Lux, 0Lux with IR (F2.5)
IR Range	30m
Shutter Time	1/15 ~ 1/32000
Day/Night	TDN (True Day & Night)
WDR	No

Compression Standard

Video Compression	H.264, H.265, MJPEG
Bit Rate	100Kbps ~ 10Mbps
Video Streams	2592x1944p30 + 480p30

Image

Max Image Resolution	2592(H) X 1944(V)
Frame Rate	30fps

Functions

Base Analytics	Tamper Detection, Presence Filters (Advanced Motion), Object Tracker, Network Disconnection, Temperature Critical
Audio Compression	G.711
Security	HTTPS(SSL), IP filtering, 802.1x
Protocols	TCP/IP, UDP, AutoIP, RTP(UDP/TCP), RTSP, NTP, HTTP, HTTPS, SSL, DNS, DDNS, DHCP, FTP, SMTP, ICMP, SNMPv1/v2/v3(MIB-2), ONVIF
System Compatibility	CGI API, ONVIF (Profile S)

Physical

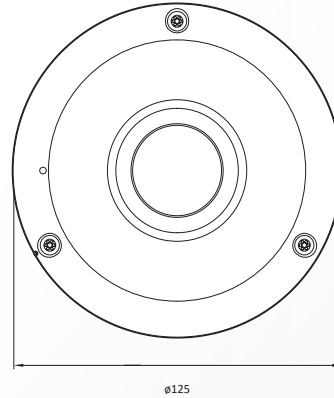
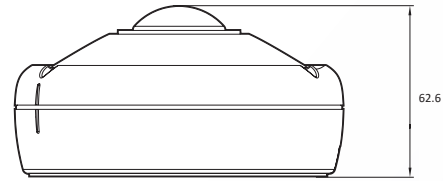
Operating Conditions	-30°C ~ 50°C (-22°F ~ 122°F)
Humidity	10-90% RH (non-condensing)
Weather Proof Rating	IP66
Impact Protection	IK9
Housing Material	Aluminum
Dome Material	Lexan 143R
Dimensions (D x H)	125 mm x 65.9 mm
Weight	0.5kg
Local Storage	128GB Max. Micro SD / SDHC / SDXC

Electrical

Power Supply	DC DC12V / POE IEEE 802.3af
Power Consumption	DC12V Max7.5W / PoE Max8.7W

Certifications and Compliance

FCC Part 15, Subpart B, Class A
 CAN ICES-3 (A)/NMB-3(A)
 UL and ULC Safety
 CE
 NDAA Compliant



Part Number

VX-6M-360-IA-02	Base Camera
VX-6M-360-IA-02-A	Add Advanced Analytics License *

Interface

Communication	RJ45(10/100BASE-T)
Alarm Input	1
Alarm Output	1
Audio Input	1 (Built in MIC)
Audio Output	1

Warranty

Four (4) years

Recommended Mounts

VX-PM-BC10	Pendant Mount
VX-CM-BC04	Corner Mount
VX-POLE-BP04	Pole Mount
VX-JB-BJC03	Junction Box
VX-WM-BW10	Wall Mount

* NOTE: - A advanced analytics license can be added to a Base Camera at any time to unlock advanced analytics functionality. Speak to a 3xLOGIC Sales Associate for more info.