

## VISIX 5MP, Fixed 4mm Lens, Indoor/ Outdoor Vandal Proof Mini-dome with IR, True WDR, Audio and Mic. IP67/IK10.

The VX-5M4-MD-IAW is 5 Megapixel, indoor/outdoor, mini-dome IP camera. This camera is IK10 vandal resistant, has 120dB WDR, audio and built-in IR making the VX-5M4-MD-IAW a versatile camera fitting most every entry-level as well as more complex indoor/outdoor installation requirements.

The VX-5M4-MD-IAW is compatible with the entire VIGIL Software Suite, including direct access through VIGIL Client and our mobile app View Lite II, as well as with VIGIL Central Management for remote health monitoring and notification.

The VX-5M4-MD-IAW also supports dual streaming. This combined with VIGIL Server's Substream Motion Detection and RapidStream technologies allows the camera to be viewed remotely in both live and playback modes with minimal impact on your network.



### Typical Use Cases



**K-12  
EDUCATION**



**WAREHOUSE &  
DISTRIBUTION**



**SMALL/MEDIUM  
BUSINESS**

### Key Features and Benefits

Lens	4mm Fixed
Resolution (Megapixels)	5
Infrared(Low-Light, No-Light)	✓
Audio (Mic)	✓
H.264/H.265/MJPEG	✓
Digital Wide Dynamic Range	✓
IK10 Impact-Resistant(Vandal-Proof Camera)	✓
IP67 Weather-Resistant(Outdoor Camera)	✓
4 Year Warranty	✓
Base Analytics	✓

### What's in the Box

Template Sheet  
Torx Wrench  
Waterproof Cap & Gasket  
Screws & Anchors  
Mount Bolts & Nuts

### Camera

Image Sensor	1/2.8" 5.14M CMOS (Sony Starvis)
Lens	4 mm, F2.0
Motorized?	No
Angle of View	D : 106.6°, H : 82.3°, V : 58.8°
Min Illum	0.06 Lux, 0 Lux with IR (F2.0)
IR Range	30m
Shutter Time	1/15 ~ 1/32000
Day/Night	TDN (True Day & Night)
WDR	WDR - 120dB

### Compression Standard

Video Compression	H.264, H.265, MJPEG
Bit Rate	100Kbps ~ 10Mbps
Video Streams	2592x1944p30 + 480p30

### Image

Max Image Resolution	2592 x1944
Frame Rate	30fps

### Functions

Base Analytics	Tamper Detection, Presence Filters (Advanced Motion), Object Tracker, Network Disconnection, Temperature Critical
Local Storage	Micro SD / SDHC / SDXC
SD Card Capacity	128GB
Security Protocols	HTTPS(SSL), IP filtering, 802.1x, Digest Authentication TCP/IP, UDP, AutoIP, RTP(UDP/TCP), RTSP, NTP, HTTP, HTTPS, SSL, DNS, DDNS, DHCP, FTP, SMTp, ICMP, SNMPv1/v2/v3(MIB-2), ONVIF CGI API, ONVIF (Profile S)
System Compatibility	

### Physical

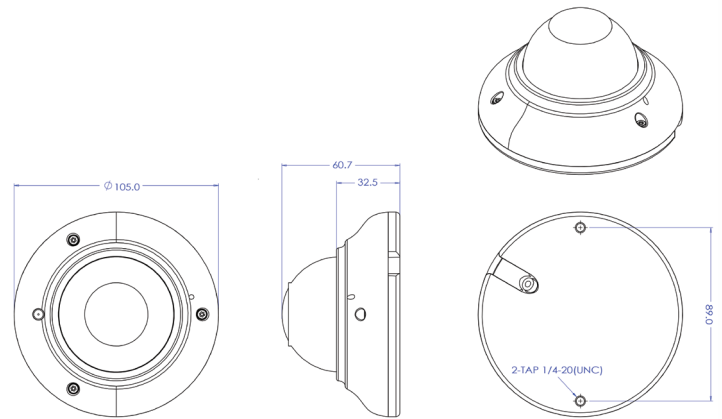
Operating Conditions	-30°C ~ 50°C (-22°F ~ 122°F)
Humidity	10~90% RH (non-condensing)
Weather Proof Rating	IP67
Impact Protection	IK10
Housing Material	Aluminum
Dome Material	Lexan 143R
Dimensions (D x H)	Ø105 x 60.7 mm
Weight	0.36kg

### Electrical

Power Supply	DC DC12V / PoE IEEE 802.3af class2
Power Consumption	DC12V Max 6W / PoE Max 7.2W

### Certifications and Compliance

FCC Part 15, Subpart B, Class B  
 CAN ICES-3 (A)/NMB-3(A)  
 UL and ULC Safety  
 CE  
 NDAA Compliant



### Interface

Communication	RJ45(10/100BASE-T)
Audio Input	On-Board Mic
Audio Output	1
Alarm In	1
Alarm Out	1

### Part Number

VX-5M4-MD-IAW	Base Camera
VX-5M4-MD-IAW-A	Add Advanced Analytics License *

### Warranty

Four (4) years

### Recommended Mounts

VX-PM-BC11	Pendant Mount
VX-WM-BW11	Wall Mount
VX-CM-BC04	Corner Mount
VX-POLE-BP04	Pole Mount
VX-GP-02	Gang Plate
VX-JB-BJC04	Junction Box

\* NOTE: - A advanced analytics license can be added to a Base Camera at any time to unlock advanced analytics functionality. Speak to a 3xLOGIC Sales Associate for more info.